

ASME B1.15-1995

**Unified Inch
Screw
Threads**
(UNJ Thread Form)

AN ASME STANDARD



The American Society of
Mechanical Engineers

AN ASME STANDARD

**Unified Inch
Screw
Threads
(UNJ Thread Form)**

ASME B1.15-1995



The American Society of
Mechanical Engineers

345 East 47th Street, New York, N.Y.

ASMENORMDOC.COM : Click to view the full PDF of ASME B1.15 1995

Date of Issuance: August 15, 1995

This Standard will be revised when the Society approves the issuance of a new edition. There will be no addenda or written interpretations of the requirements of this Standard issued to this Edition.

ASME is the registered trademark of The American Society of Mechanical Engineers.

This code or standard was developed under procedures accredited as meeting the criteria for American National Standards. The Consensus Committee that approved the code or standard was balanced to assure that individuals from competent and concerned interests have had an opportunity to participate. The proposed code or standard was made available for public review and comment which provides an opportunity for additional public input from industry, academia, regulatory agencies, and the public-at-large.

ASME does not "approve," "rate," or "endorse" any item, construction, proprietary device, or activity.

ASME does not take any position with respect to the validity of any patent rights asserted in connection with any items mentioned in this document, and does not undertake to insure anyone utilizing a standard against liability for infringement of any applicable Letters Patent, nor assume any such liability. Users of a code or standard are expressly advised that determination of the validity of any such patent rights, and the risk of infringement of such rights, is entirely their own responsibility.

Participation by federal agency representative(s) or person(s) affiliated with industry is not to be interpreted as government or industry endorsement of this code or standard.

ASME accepts responsibility for only those interpretations issued in accordance with governing ASME procedures and policies which preclude the issuance of interpretations by individual volunteers.

No part of this document may be reproduced in any form,
in an electronic retrieval system or otherwise,
without the prior written permission of the publisher.

Copyright © 1995 by
THE AMERICAN SOCIETY OF MECHANICAL ENGINEERS
All Rights Reserved
Printed in U.S.A.

FOREWORD

(This Foreword is not part of ASME B1.15-1995.)

This Standard is similar to Military Specification MIL-S-8879 and equivalent to ISO-3161-1977 for thread Classes 3A and 3B. British Standard BS 4084:1978 including Amendment 1 is technically identical to ISO-3161-1977 except for Appendix A which provides information for a 20 UNJ constant pitch series for diameters through 3 inches.

The UNJ thread form, having the enlarged root radius in the external thread, was introduced for applications requiring high fatigue strength where working stress levels are high, in order to minimize size and weight in parts, as in aerospace applications and also for other designs in commercial products where stresses are critical. To meet these requirements, the UNJ external thread root radius is designed between $0.15011P$ to $0.18042P$ and the minor diameter of the mating internal thread is increased to ensure the necessary clearance.

This Standard includes Classes 2A and 2B UNJ screw threads. Either Class 3 or Class 2 UNJ threads are appropriate for commercial applications commensurate with the fatigue and stress levels required.

It is not recommended that Classes 2A and 2B threads be used for aerospace applications. Only UNJ thread Classes 3A and 3B meet the requirements of Military Specification MIL-S-8879.

NOTE: In what follows, the symbols H and h are used. H is defined as the height of the sharp vee thread formed by extending the thread flanks until they meet. H is equal to 0.866025 times the pitch, P . The symbol h is equal to 0.75 times H and represents the theoretical height of the American National thread form. It is still used as the basis for the value called *percent of thread*.

The UNJ thread form is the UN thread form modified to $\frac{9}{16}H$ or 75% h basic thread depth which allows the $0.18042P$ maximum root radius in the external thread. The first known U.S. standard of similar thread form was the Society of Automotive Engineers Aeronautical Standard AS 82 published in March 1942, which is a modified American National thread form to 75% h basic thread depth and specifying $0.108P$ - $0.180P$ root radius in the external thread. This thread was symbolized NR, National Round, and was developed for aircraft engine applications.

Tension-tension fatigue testing of aircraft fasteners in 1942 demonstrated the importance of the external thread root contour in the fatigue life of a screw thread rolled after heat treatment. Fatigue testing isolated the following elements of good external thread root design:

- The root should be radiused, not sharp.
- Theoretically, it should be a continuous circular arc, blending smoothly with the thread flanks.
- The radius should be as large as possible within the allowable design form.
- The root contour should be smooth throughout, free of any imperfections, tool marks, or other minor notches.

Recognizing the need for improved 160,000 psi tensile strength bolts, the Military Services published in April 1952, MIL-B-7838A bolt procurement specification for aircraft applications based on the Unified thread form having $83\frac{1}{3}\%$ h Unified thread form. Thus, larger external root radius requires a shallower internal thread depth to clear the flank tangency point. Although the Unified internal thread standards for tap drill sizes permit depths of more than 75% h , production rarely used these drills because deeper tapping of internal threads is generally not considered economically practical. A few internal threads have depths as great as 70% h , but the vast majority lie between 60% and 68% h .

Since internal threads are generally less than 75% h basic thread depth, the root radius of the external thread was increased to $0.150P$ min. and $0.180P$ max. for the 180,000 psi and higher tensile strength bolts. This external thread form was developed in 1955 by the aerospace fastener industry and was known as the "Hi R" thread form.

Through the coordinated effort with the Aerospace Engine and Propeller Utility Standards parts Committee E25 of SAE and the AIA National Aerospace Standards Committee NASC, the Air Force and Navy developed and published in September 1960, the thread specification MIL-S-8879 which features the "Hi R" thread root radius in the external thread and the internal thread modified to $\frac{9}{16} H$ basic or 75% h thread depth.

With the advent of aircraft gas turbine engines, the high temperature threaded fasteners developed better elevated temperature performance using MIL-S-8879 UNJ thread root radius, in that the stress-rupture life of bolts was greatly improved.

The UNJ thread form has been adopted by the aerospace industry as the all-purpose thread standard, with the exception of electrical hardware and thread sizes 0.138 and smaller, which may use the UN thread form.

Suggestions for improvement of this Standard will be welcome. They should be sent to The American Society of Mechanical Engineers, Att: Secretary, B1 Main Committee, 345 East 47th Street, New York, NY 10017.

This Standard was approved as an ASME Standard on June 22, 1993.

ASME STANDARDS COMMITTEE B1
Standardization and Unification of Screw Threads

(The following is the roster of the Committee at the time of approval of this Standard.)

OFFICERS

E. Schwartz, *Chairman*
K. E. McCullough, *Vice Chairman*
C. J. Gomez, *Secretary*

COMMITTEE PERSONNEL

J. R. Anderson	J. Krippes
R. J. Browning	R. W. Lamport
R. M. Byrne	R. S. LaNier
D. P. Cadieux	J. B. Levy
F. G. Calderone	J. C. McMurray
F. H. Cantrell	D. Miskinis
R. S. Chamerda	W. R. Newman
R. Dodge	A. Painter
P. H. Drake	G. A. Russ
A. E. Ellis	R. J. Sabatos
H. W. Ellison	D. M. Satava
C. G. Erickson	M. M. Schuster
W. C. Farrell, Jr.	R. H. Searr
R. E. Ferry, Jr.	R. E. Seppey
G. A. Flannery	A. D. Shepherd, Jr.
D. S. George	V. B. Shook
J. Greenslade	A. G. Strang
J. O. Heinze	J. F. Sullivan
R. R. Hyman	R. L. Tennis
C. W. Jatho	A. F. Thibodeau
S. P. Johnson	A. M. Wilkerson
S. I. Kanter	C. J. Wilson

SUBCOMMITTEE B1.15—UNJ SCREW THREADS

R. E. Seppey, <i>Chairman</i>	K. E. McCullough
F. H. Cantrell	W. R. Newman
R. S. Chamerda	A. Painter
L. N. Dixon, Jr.	G. A. Russ
R. E. Ferry, Jr.	M. M. Schuster
G. A. Flannery	A. G. Strang
D. S. George	R. L. Tennis
S. I. Kanter	A. M. Wilkerson
J. Krippes	C. J. Wilson

CONTENTS

Foreword	iii
Standards Committee Roster	v
1 General	1
1.1 Scope	1
1.2 Field of Application	1
1.3 Assembly	1
1.4 Federal Government Use	1
1.5 References	1
2 Profile of Thread	3
2.1 Basic Profile	3
2.2 Basic Thread Profile Symbols	3
2.3 Design Profiles	3
2.4 Root Radius of the Thread	3
3 Series of Threads	7
4 Thread Characteristics	9
4.1 Length of Thread Engagement, <i>LE</i>	9
4.2 Tolerance System	9
4.3 Limits of Size	9
4.4 Thread Form Tolerances	10
5 Dimensional Accommodation of Coatings and Platings	45
5.1 Coated External Threads — Class 3A	45
5.2 Coating Threads with Dry Film Lubricant	45
5.3 Coated External Threads — Class 2A	45
5.4 Coated Internal Threads — Classes 2B and 3B	45
6 Designation of Threads	47
6.1 Basic Designation	47
6.2 Standard Thread Series Designation	47
6.3 Designation of Coated Threads	47
6.4 Designation of Threads Having Modified Crests	47
6.5 Designation of Threads Having Special Length Requirements	47
6.6 Designation of Special Series Threads	48
7 Acceptability	49
Figures	
1 Basic Profile	4
2 Internal UNJ Thread Design Profile and Tolerances	4
3 External UNJ Thread Design Profile and Tolerances	5
4 Root Radius of External Thread	5

Tables

1	Basic Profile Dimensions	12
2	Thread Series	13
3	Constants for Calculation Formulas of Thread Profile Dimensions	15
4	Limit Values, External Thread Root Radius, R	16
5	Limiting Dimensions and Tolerances, UNJ Thread Form	17
6	Allowable Variations in Lead and Equivalent Change in Functional Diameter, UNJ Thread Form	32
7	Allowable Variations in 30 deg Basic Half-Angle of Screw Threads	43

Appendices

A	Symbols — UNJ Thread Dimensions and Tolerances	51
B	Tolerance Table	53
C	Coating of Threads	55

ASME B1.15 1995
ASME NORMDOC.COM : Click to view the full PDF of ASME B1.15 1995

UNIFIED INCH SCREW THREADS (UNJ THREAD FORM)

SECTION 1 GENERAL

1.1 Scope

This Standard establishes the basic triangular profile for the UNJ thread form, provides a system of designations, lists the standard series of diameter-pitch combinations for diameters from 0.600 to 6.000 in., and specifies limiting dimensions and tolerances.

It specifies the characteristics of the UNJ inch series of threads having 0.15011 P to 0.18042 P designed radius at the root of the external thread, and also having the minor diameter of the external and internal threads increased above the ASME B1.1 UN and UNR thread forms to accommodate the external thread maximum root radius.

1.2 Field of Application

The UNJ screw thread is designed for aerospace inch threaded parts, or for use on other highly stressed applications requiring high fatigue strength. For aerospace applications, only Classes 3A and 3B should be used.

1.3 Assembly

Threads conforming to the UN profile (ASME B1.1) and the UNJ profile are not interchangeable because of possible interference between the UNJ external thread minor diameter and the UN internal thread minor diameter. However, the UNJ internal thread will assemble with the UN external thread.

1.4 Federal Government Use

When this Standard is approved by the Department of Defense and federal agencies and is incorporated into FED-STD-H28/4, Screw Thread Standards for Federal Services, Section 4, the use of this Standard by the federal government is subject to all the requirements and limitations of FED-STD-H28/4.

1.5 References

The latest issues of the following documents form a part of this Standard to the extent specified herein.

American National Standards

ASME B1.1, Unified Inch Screw Threads (UN and UNR Thread Form)

ASME B1.3M, Screw Thread Gaging Systems for Dimensional Acceptability

ANSI/ASME B1.7M, Nomenclature, Definitions, and Letter Symbols for Screw Threads

ASME B1.23¹, Gages and Gaging for Unified Inch J Series Screw Threads

ASME B1.30M, Screw Threads — Standard Practice for Calculating and Rounding Dimensions

¹Proposed ASME Standard under development by The American Society of Mechanical Engineers.

SECTION 2 PROFILE OF THREAD

2.1 Basic Profile

The basic profile is the theoretical profile corresponding to the basic dimensions of the thread major diameter, pitch diameter, and minor diameter. Profile applies to an axial plane. The basic profile is shown in Fig. 1.

2.2 Basic Thread Profile Symbols

The symbols used in the basic profile shown in Fig. 1 represent the following:

D bsc = basic major diameter of internal thread
 D_2 bsc = basic pitch diameter of internal thread
 D_1 bsc = basic minor diameter of internal thread
 d bsc = basic major diameter of external thread
 d_2 bsc = basic pitch diameter of external thread
 d_1 bsc = basic minor diameter of external thread
 H = height of fundamental triangle
 P = pitch

Appendix A provides a complete list of symbols applicable to the UNJ thread form.

2.3 Design Profiles

The design profile for the internal thread at maximum-material conditions is the same as the basic profile, except in practice, the root is cleared above the basic major diameter, D bsc. See Fig. 2.

The design profile for the external thread at maximum-material condition for Class 3A is the basic profile with a radiused minor diameter tangent to the

flanks for the upper limit profile. For Class 2A, an allowance is applied to the basic profile. The external thread crest may be flat, partially or corner rounded, tangent to the $0.125P$ flat. See Fig. 3.

2.4 Root Radius of the Thread

2.4.1 Internal Thread. For internal threads, the profile of the actual root of the thread shall at no point be below the basic profile. No root radius is specified.

2.4.2 External Thread. For external threads, the profile of the actual root of the thread shall lie within the root radius tolerance zone shown in Fig. 4. The limit dimensions of the root radius R as shown in Fig. 4 and their values are specified in Table 4. The profile shall be a continuous smoothly blended nonreversing curve, no part of which shall have a radius of less than $0.15011P$ and which is tangent to the thread flanks at not less than $0.5625H$ basic thread depth. The profile may comprise tangent flank circular arcs that are tangent to the flanks and a flat at the minor diameter provided that the minor diameter, d_3 , is within the zone established in Fig. 4.

2.4.3 Incomplete Threads. Unless otherwise specified, the runout threads on externally threaded parts shall be no less than 1, nor more than 2 pitches in length. The threads shall run-out onto the shank without any abrupt change in cross-sectional area. The root radius shall be no less than the minimum radius of the full thread section.

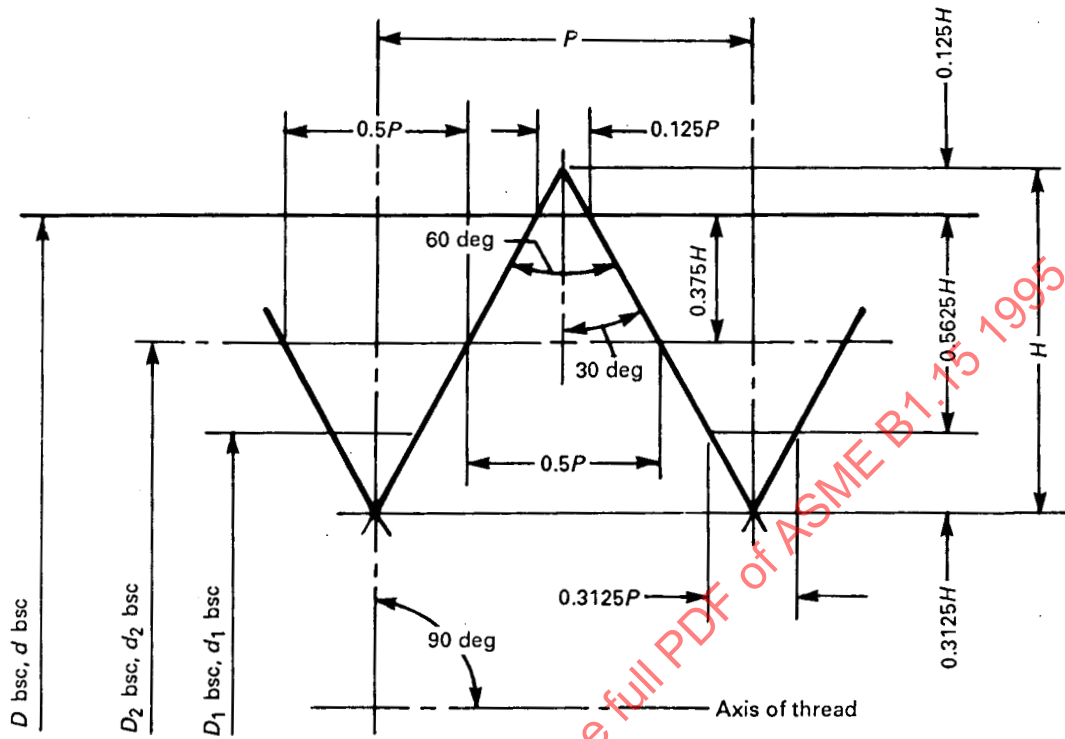


FIG. 1 BASIC PROFILE

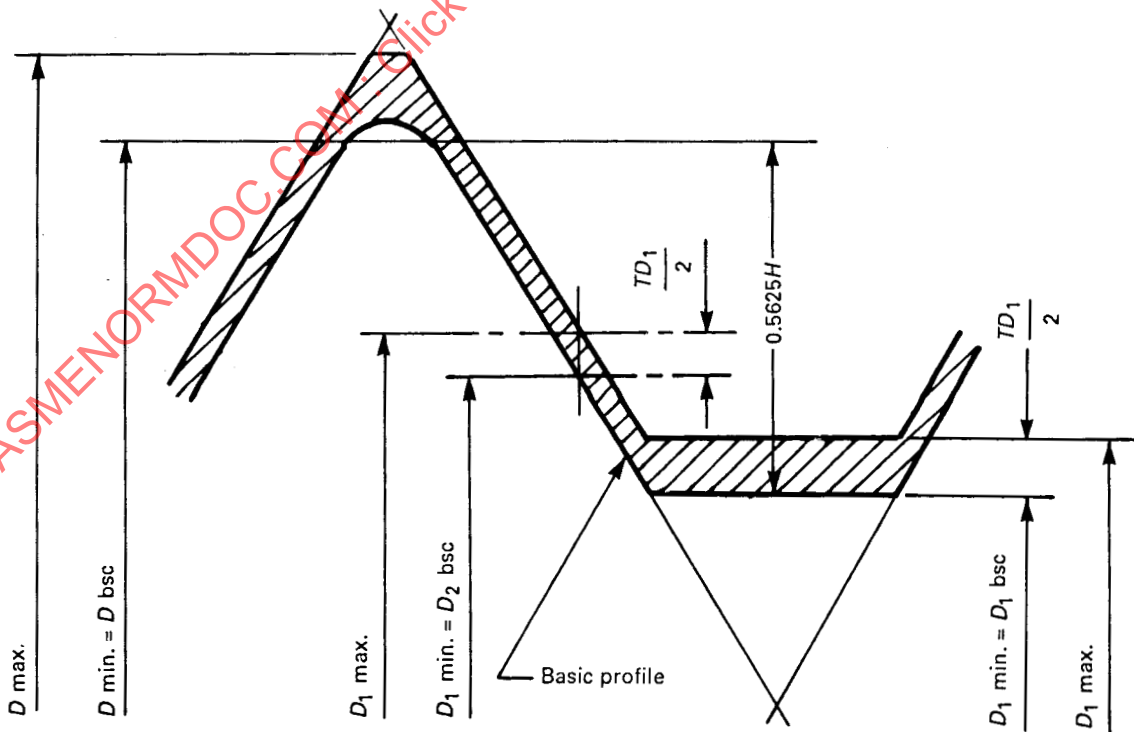
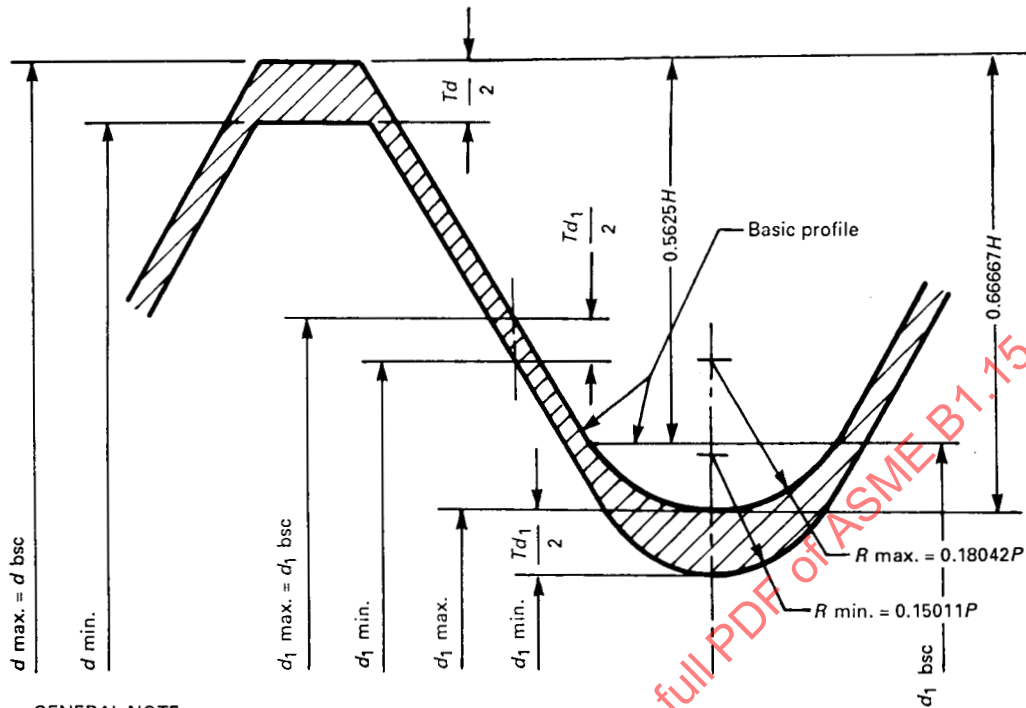
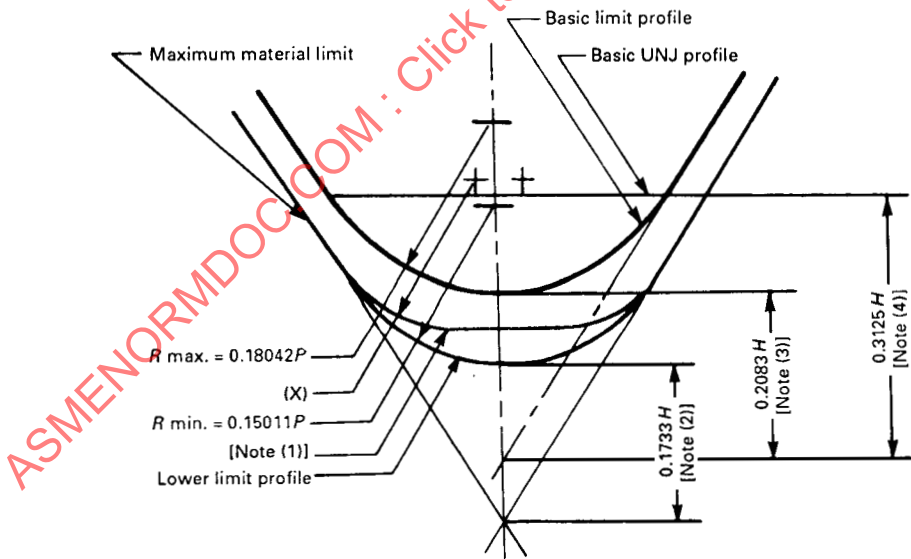


FIG. 2 INTERNAL UNJ THREAD DESIGN PROFILE AND TOLERANCES



GENERAL NOTE:
Rounded crest is optional (See para. 5.3)

FIG. 3 EXTERNAL UNJ THREAD DESIGN PROFILE AND TOLERANCES



- NOTES:
- (1) Optional profile comprising two circular arcs (X) tangent to the flanks and flat at the root.
 - (2) Min. truncation
 - (3) Max. truncation
 - (4) Tangent flank radii (minor dia.)

FIG. 4 ROOT RADIUS OF EXTERNAL THREAD

SECTION 3 SERIES OF THREADS

This Standard includes a selected series of diameter-pitch combinations of threads extracted from ASME B1.1 as follows: coarse pitch (UNJC), fine pitch (UNJF), extra-fine pitch (UNJEF), 8 pitch (8-UNJ), 12 pitch (12-UNJ), and 16 pitch (16-UNJ). See Table 2.

ASMENORMDOC.COM : Click to view the full PDF of ASME B1.15 1995

SECTION 4 THREAD CHARACTERISTICS

4.1 Length of Thread Engagement, LE

Tolerances specified in Table 5 are based on a length of engagement equal to the basic major diameter for the UNJC, UNJF, and 8-UNJ series and are applicable for length of engagement up to 1.5 diameters; and a length of engagement of 9 pitches for the UNJEF, 12-UNJ, and 16-UNJ series, and are applicable for lengths of engagement of 5 to 15 pitches.

For lengths of engagement over 1.5 (to and including 3 diameters) or over 15 (to and including 30 pitches), the pitch diameter tolerances are 1.25 times the tabulated values. For lengths of engagement over 3 diameters or 30 pitches, the pitch diameter tolerances are 1.5 times the tabulated values.

In addition to increasing pitch diameter tolerances for long lengths of engagement, maximum-material gages (GO) used for acceptance shall be equal in length to the design length of engagement.

4.2 Tolerance System

The system of tolerances and allowances is based on ASME B1.1 inch screw thread system of tolerance classes. Tolerances and allowances are applied plus for internal threads and minus for external threads.

4.3 Limits of Size

The basic profile dimensions are given in Table 1. The profile dimensions and tolerances (T) shown in Figs. 2 and 3 and their values for the standard series are specified in Table 5. For special threads for which there are no tabulated values, use the formulas in paras. 4.3.1 through 4.3.4, together with the tolerance table in Appendix B. Constants for the special thread formulas are given in Table 3.

NOTE: The dimensions and tolerances listed in Table 5 have been calculated and rounded to the procedures specified in ASME B1.30. As a consequence, a few of the values listed vary from 0.0001 in. to 0.0002 in. from listed values in previously issued standards for UN and UNJ inch threads.

4.3.1 External Threads — Class 3A

$$d \text{ max.} = d \text{ bsc}$$

$$d \text{ min.} = d \text{ max.} - Td$$

$$Td = 0.060 \sqrt[3]{P^2}$$

$$d_2 \text{ max.} = d \text{ max.} - 0.649519P \text{ [see Table 3]}$$

$$d_2 \text{ min.} = d_2 \text{ max.} - Td_2$$

$$Td_2 = 0.750 (0.0015 \sqrt[3]{d \text{ bsc}} + 0.0015 \sqrt{LE} + 0.015 \sqrt[3]{P^2})$$

NOTE: Figures within parentheses are rounded to six decimal places before multiplying by 0.750.

$$d_3 \text{ max.} = d_2 \text{ max.} - 0.50518P \text{ [see Table 3]}$$

$$d_3 \text{ min.} = d_2 \text{ min.} - 0.56580P \text{ [see Table 3]}$$

$$Td_3 = d_3 \text{ max.} - d_3 \text{ min.}$$

$$R \text{ max.} = 0.18042P \text{ [see Table 4]}$$

$$R \text{ min.} = 0.15011P \text{ [see Table 4]}$$

4.3.2 Internal Threads — Class 3B

$$D \text{ min.} = D \text{ bsc}$$

$$D \text{ max.} = D_2 \text{ max.} + 0.79386P \text{ [see Table 3]}$$

$$D_2 \text{ min.} = D \text{ bsc} - 0.649519P \text{ [see Table 3]}$$

$$D_2 \text{ max.} = D_2 \text{ min.} + TD_2$$

$$TD_2 = 0.975 (0.0015 \sqrt[3]{D \text{ bsc}} + 0.0015 \sqrt{LE} + 0.015 \sqrt[3]{P^2})$$

NOTE: Figures within parentheses are rounded to six decimal places before multiplying by 0.975.

$$D_1 \text{ min.} = D \text{ min.} - 0.97428P \text{ [see Table 3]}$$

NOTE: Round up to the next larger fourth place decimal, unless the fifth place is zero.

$$D_1 \text{ max.} = D_1 \text{ min.} + TD_1$$

$$Td = 0.060 \sqrt[3]{P^2}$$

For threads 13 threads per inch and finer:

$$TD_1 = \left(0.05 \sqrt[3]{P^2} + \frac{0.03P}{D \text{ bsc}} \right) - 0.002$$

NOTE: TD_1 may not exceed $0.259809P$ or be less than $0.135315P$.

For threads with 12 threads per inch or coarser:

$$TD_1 = 0.120P$$

4.3.3 External Threads — Class 2A

$$d \text{ max.} = d \text{ bsc} - es$$

$$es = 0.300 (0.0015 \sqrt[3]{d \text{ bsc}} + 0.0015 \sqrt{LE} + 0.015 \sqrt[3]{P^2})$$

NOTE: Figures within parentheses are rounded to six decimal places before multiplying by 0.300.

$$d \text{ min.} = d \text{ max.} - Td$$

$$Td = 0.060 \sqrt[3]{P^2}$$

$$d_2 \text{ max.} = d \text{ max.} - 0.649519P \text{ [see Table 3]}$$

$$d_2 \text{ min.} = d_2 \text{ max.} - Td_2$$

$$Td_2 = 0.0015 \sqrt[3]{d \text{ bsc}} + 0.0015 \sqrt{LE} + 0.015 \sqrt[3]{P^2}$$

$$d_3 \text{ max.} = d_2 \text{ max.} - 0.50518P \text{ [see Table 3]}$$

$$d_3 \text{ min.} = d_2 \text{ min.} - 0.56580P \text{ [see Table 3]}$$

$$Td_3 = d_3 \text{ max.} - d_3 \text{ min.}$$

$$R \text{ max.} = 0.18042P \text{ [see Table 4]}$$

$$R \text{ min.} = 0.15011P \text{ [see Table 4]}$$

4.3.4 Internal Threads — Class 2B

$$D \text{ min.} = D \text{ bsc}$$

$$D \text{ max.} = D_2 \text{ max.} + 0.79386P \text{ [see Table 3]}$$

$$D_2 \text{ min.} = D \text{ min.} - 0.649519P \text{ [see Table 3]}$$

$$D_2 \text{ max.} = D_2 \text{ min.} + TD_2$$

$$TD_2 = 1.300 (0.0015 \sqrt[3]{D \text{ bsc}} + 0.0015 \sqrt{LE} + 0.015 \sqrt[3]{P^2})$$

NOTE: Figures within parentheses are rounded to six decimal places before multiplying by 1.300.

$$D_1 \text{ min.} = D \text{ min.} - 0.97428P \text{ [see Table 3]}$$

NOTE: Round up to the nearest 0.001 in. for sizes 0.138 in. and larger.

$$D_1 \text{ max.} = D_1 \text{ min.} + TD_1$$

For threads 13 threads per inch and finer:

$$TD_1 = \left(0.05 \sqrt[3]{P^2} + \frac{0.03P}{D \text{ bsc}} \right) - 0.002$$

NOTE: TD_1 may not exceed 0.259809P or be less than 0.135315P.

For threads with 12 threads per inch or coarser:

$$TD_1 = 0.120P$$

4.4 Thread Form Tolerances

4.4.1 Cumulative form variation is the combined effect on functional size due to individual thread form variations in lead (pitch), helix, flank angle, taper, and roundness.

When measurement is specified for Classes 3A and 3B threads, cumulative form tolerance shall be 0.5 times pitch diameter tolerance. If not specified, control shall be by the required system gages.

4.4.2 Lead and Flank Angle Variations

(a) When individual inspection of lead (including helix) and flank angle variations are required, the allowable variations for these characteristics shall be in accordance with Tables 6 and 7 unless otherwise specified.

(b) For sizes not included in Tables 6 and 7, the allowable lead variation is equal to 0.57735 times one-half the pitch diameter tolerance. This is the lead variation which causes a change in functional diameter equal to 0.5 times the pitch diameter tolerance. The allowable flank half-angle variation in minutes of arc is equal to 30 plus 1.875 times the number of threads per inch rounded to the nearest 5 minutes for 32 threads per inch and coarser, and 62 plus 0.775 times the number of threads per inch rounded to the nearest 5 minutes for threads finer than 32 threads per inch.

EXAMPLE:

0.945-8.5 UNJS-3A; lead and angle control required.

No lead and angle tolerances were specified nor do default values appear in Tables 6 and 7. Values are calculated as follows:

$$\text{Lead tolerance} = 0.57735 \times 0.5 Td_2$$

$$\text{Pitch diameter tolerance } Td_2 = 0.0050$$

$$\text{Lead tolerance} = 0.57735 \times 0.5 \times 0.0050 = 0.0014 \text{ in.}$$

$$\text{Angle tolerance (for coarser than 32 tpi)} = 30 + (1.875 \times \text{tpi})$$

$$\text{Angle tolerance} = 30 + (1.875 \times 8.5)$$

$$= 45.94 \text{ minutes}$$

$$= 45 \text{ minutes when rounded to nearest 5 minutes}$$

EXAMPLE:

0.500-41 UNJS-3B; lead and angle control required.

$$\text{Lead tolerance} = 0.57735 \times 0.5 Td_2$$

$$\text{Pitch diameter tolerance } Td_2 = 0.0031$$

$$\text{Lead tolerance} = 0.57735 \times 0.5 \times 0.0031 = 0.0009 \text{ in.}$$

$$\text{Angle tolerance (for finer than 32 tpi)} = 62 + (0.775 \times \text{tpi})$$

$$\text{Angle tolerance} = 62 + (0.775 \times 41)$$

$$= 93.78 \text{ minutes}$$

$$= 1 \text{ degree and 35 minutes when rounded to nearest 5 minutes}$$

(c) If lead and angle tolerances are specified as a pitch diameter equivalent in terms of pitch diameter tolerance, tolerances in accordance with para. 4.4.2(a) or para. 4.4.2(b) may be adjusted proportionately using 0.5 times pitch diameter tolerance as a basis.

EXAMPLE:

0.5000-20 UNJF-3A (22S); lead and angle control required — 0.4 PD tolerance.

From Table 6, allowable lead variation is 0.0009 in. This would be adjusted to 0.4/0.5 times 0.009 which is 0.0007 in.

From Table 7, allowable angle variation is 1 degree 10 minutes or 70 minutes. This would be adjusted to 0.4/0.5 times 70 which is 56 minutes or 55 minutes when rounded.

(d) For requirements of (a) and (b) above, lead variation values tabulated or calculated are the maximum variations from specified lead between any two points not farther apart than the length of the maximum-material (GO) thread gage. Flank angle variation values are maximum variations from the basic 30 deg angle between thread flanks and perpendiculars to the thread axis.

(e) Allowable variations in lead and flank angles are maximum values. Maximum variation in these and pitch diameter tolerance cannot be taken simultaneously.

4.4.3 Runout of Major Diameter and Minor Diameter to Pitch Cylinders. When measurement is specified, maximum circular runout shall be limited to a full indicator movement equal to the pitch diameter tolerance.

4.4.4 Taper. If the pitch cylinder is conical, the difference in pitch diameters between the ends of the thread are an indication of taper. When measurement is required, it shall be specified. If not specified, allowable taper is no greater than the pitch diameter tolerance.

ASMENORMDOC.COM : Click to view the full PDF of ASME B1.15-1995

TABLE 1 BASIC PROFILE DIMENSIONS

(1)	(2)	(3)	(4)	(5)	(6)	(7)	(8)	(9)	(10)	(11)
Threads per in., n	Pitch $P = \frac{1}{n}$	Pitch Line $0.5 P$	Flat at Internal Thread Crest $0.3125 P$	Flat at Internal Thread Root and External Thread Crest $0.125 P$	Height of Sharp V Thread H $0.866025 P$	Height of Internal Thread and Depth of Thread Engagement	Addendum of External Thread $0.375 H = 0.324760 P$	Truncation of Internal Thread Crest $0.3125 H = 0.270633 P$	Truncation of Internal Thread Root and External Thread Crest $0.125 H = 0.108253 P$	Half Addendum of External Thread. REFERENCE ONLY
						$0.5625 H = 0.487139 P$				$0.1875 H = 0.16238 P$
80	0.012500	0.006250	0.00391	0.00156	0.010825	0.00609	0.00406	0.00338	0.00135	0.00203
72	0.013889	0.006944	0.00434	0.00174	0.012028	0.00677	0.00451	0.00376	0.00150	0.00226
64	0.015625	0.007812	0.00488	0.00195	0.013532	0.00761	0.00507	0.00423	0.00169	0.00254
56	0.017857	0.008928	0.00558	0.00223	0.015465	0.00870	0.00580	0.00483	0.00193	0.00290
48	0.020833	0.010416	0.00651	0.00260	0.018042	0.01015	0.00677	0.00564	0.00226	0.00338
44	0.022727	0.011363	0.00710	0.00284	0.019682	0.01107	0.00738	0.00615	0.00246	0.00369
40	0.025000	0.012500	0.00781	0.00312	0.021651	0.01218	0.00812	0.00677	0.00271	0.00406
36	0.027778	0.013889	0.00868	0.00347	0.024056	0.01353	0.00902	0.00752	0.00301	0.00451
32	0.031250	0.015625	0.00977	0.00391	0.027063	0.01522	0.01015	0.00846	0.00338	0.00507
28	0.035714	0.017857	0.01116	0.00446	0.030929	0.01740	0.01160	0.00967	0.00387	0.00580
24	0.041667	0.020833	0.01302	0.00521	0.036084	0.02030	0.01353	0.01128	0.00451	0.00677
20	0.050000	0.025000	0.01562	0.00625	0.043301	0.02436	0.01624	0.01353	0.00541	0.00812
18	0.055556	0.027778	0.01736	0.00694	0.048113	0.02706	0.01804	0.01504	0.00601	0.00902
16	0.062500	0.031250	0.01953	0.00781	0.054127	0.03045	0.02030	0.01691	0.00677	0.01015
14	0.071429	0.035714	0.02232	0.00893	0.061859	0.03480	0.02320	0.01933	0.00773	0.01160
13	0.076923	0.038461	0.02404	0.00962	0.066617	0.03747	0.02498	0.02082	0.00833	0.01249
12	0.083333	0.041666	0.02604	0.01042	0.072169	0.04059	0.02706	0.02255	0.00902	0.01353
11	0.090909	0.045454	0.02841	0.01136	0.078730	0.04429	0.02952	0.02460	0.00984	0.01476
10	0.100000	0.050000	0.03125	0.01250	0.086603	0.04871	0.03248	0.02706	0.01083	0.01624
9	0.111111	0.055555	0.03472	0.01389	0.096225	0.05413	0.03608	0.03007	0.01203	0.01804
8	0.125000	0.062500	0.03906	0.01562	0.108253	0.06089	0.04059	0.03383	0.01353	0.02030
7	0.142857	0.071428	0.04464	0.01786	0.123718	0.06959	0.04639	0.03866	0.01546	0.02320
6	0.166667	0.083333	0.05208	0.02083	0.144338	0.08119	0.05413	0.04510	0.01804	0.02706
5	0.200000	0.100000	0.06250	0.02500	0.173205	0.09743	0.06495	0.05413	0.02165	0.03248
4.5	0.222222	0.111111	0.06944	0.02778	0.192450	0.10825	0.07217	0.06014	0.02406	0.03608
4	0.250000	0.125000	0.07812	0.03125	0.216506	0.12178	0.08119	0.06766	0.02706	0.04059

TABLE 2 THREAD SERIES

(1)	(2)	(3)	(4)	(5)	(6)	(7)	(8)
Nominal Sizes, in.		Number of Threads per in.					
Primary	Secondary	Series With Increasing Pitches			Constant (Uniform) Pitch Series		
		Coarse Pitch UNJC	Fine Pitch UNJF	Extra Fine Pitch UNJEF	8-UNJ	12-UNJ	16-UNJ
0.0600		—	80	—	—	—	—
	0.0730	64	72	—	—	—	—
0.0860		56	64	—	—	—	—
	0.0990	48	56	—	—	—	—
0.1120		40	48	—	—	—	—
0.1250		40	44	—	—	—	—
0.1380		32	40	—	—	—	—
0.1640		32	36	—	—	—	—
0.1900		24	32	—	—	—	—
	0.2160	24	28	32	—	—	—
0.2500		20	28	32	—	—	—
0.3125		18	24	32	—	—	—
0.3750		16	24	32	—	—	UNJC
0.4375		14	20	28	—	—	16
0.5000		13	20	28	—	—	16
0.5625		12	18	24	—	UNJC	16
0.6250		11	18	24	—	12	16
	0.6875	—	—	24	—	12	16
0.7500		10	16	20	—	12	UNJF
	0.8125	—	—	20	—	12	16
0.8750		9	14	20	—	12	16
	0.9375	—	—	20	—	12	16
1.0000		8	12	20	UNJC	UNJF	16
	1.0625	—	—	18	8	12	16
1.1250		7	12	18	8	UNJF	16
	1.1875	—	—	18	8	12	16
1.2500		7	12	18	8	UNJF	16
	1.3125	—	—	18	8	12	16
1.3750		6	12	18	8	UNJF	16
	1.4375	—	—	18	8	12	16
1.5000		6	12	18	8	UNJF	16
	1.5625	—	—	18	8	12	16
1.6250		—	—	18	8	12	16
	1.6875	—	—	18	8	12	16
1.7500		5	—	—	8	12	16
	1.8125	—	—	—	8	12	16
1.8750		—	—	—	8	12	16
	1.9375	—	—	—	8	12	16
2.0000		4.5	—	—	8	12	16
	2.1250	—	—	—	8	12	16
2.2500		4.5	—	—	8	12	16
	2.3750	—	—	—	8	12	16
2.5000		4	—	—	8	12	16
	2.6250	—	—	—	8	12	16
2.7500		4	—	—	8	12	16
	2.8750	—	—	—	8	12	16
3.0000		4	—	—	8	12	16
	3.1250	—	—	—	8	12	16
3.2500		4	—	—	8	12	16
	3.3750	—	—	—	8	12	16

(Table 2 continues on next page)

TABLE 2 THREAD SERIES (CONT'D)

(1)	(2)	(3)	(4)	(5)	(6)	(7)	(8)
Nominal Sizes, in.		Number of Threads per in.					
Primary	Secondary	Series With Increasing Pitches			Constant (Uniform) Pitch Series		
		Coarse Pitch UNJC	Fine Pitch UNJF	Extra Fine Pitch UNJEF	8-UNJ	12-UNJ	16-UNJ
3.5000		4	—	—	8	12	16
	3.6250	—	—	—	8	12	16
3.7500		4	—	—	8	12	16
	3.8750	—	—	—	8	12	16
4.0000		4	—	—	8	12	16
	4.1250	—	—	—	—	12	16
4.2500		—	—	—	—	12	16
	4.3750	—	—	—	—	12	16
4.5000		—	—	—	—	12	16
	4.6250	—	—	—	—	12	16
4.7500		—	—	—	—	12	16
	4.8750	—	—	—	—	12	16
5.0000		—	—	—	—	12	16
	5.1250	—	—	—	—	12	16
5.2500		—	—	—	—	12	16
	5.3750	—	—	—	—	12	16
5.5000		—	—	—	—	12	16
	5.6250	—	—	—	—	12	16
5.7500		—	—	—	—	12	16
	5.8750	—	—	—	—	12	16
6.0000		—	—	—	—	12	16

ASMENORMDOC.COM : Click to view the full PDF of ASME B1.15-1995

TABLE 3 CONSTANTS FOR CALCULATION FORMULAS OF THREAD PROFILE DIMENSIONS, in.

No. of Threads Per in., n	Pitch $P = \frac{1}{n}$	Twice External Thread Addendum $0.7500H =$ $0.649519P$	Difference Between Max. Pitch Dia. and Max. Minor Dia. of Ext. Thread $0.58333H =$ $0.505181P$	Difference Between Min. Pitch Dia. and Min. Minor Dia. of Ext. Thread $0.65336H =$ $0.565805P$	Difference Between Max. Major Dia. and Max. Pitch Dia. of Int. Thread $0.91667H =$ $0.793857P$	Double Height of Internal Thread $1.125H =$ $0.974279P$	Height of External Thread $0.66667H =$ $0.577350P$
80	0.012500	0.008119	0.00631	0.00707	0.00992	0.01218	0.00722
72	0.013889	0.009021	0.00702	0.00786	0.01103	0.01353	0.00802
64	0.015625	0.010149	0.00789	0.00884	0.01240	0.01522	0.00902
56	0.017857	0.011599	0.00902	0.01010	0.01418	0.01740	0.01031
48	0.020833	0.013532	0.01052	0.01179	0.01654	0.02030	0.01203
44	0.022727	0.014762	0.01148	0.01286	0.01804	0.02214	0.01312
40	0.025000	0.016238	0.01263	0.01414	0.01985	0.02436	0.01443
36	0.027778	0.018042	0.01403	0.01572	0.02205	0.02706	0.01604
32	0.031250	0.020297	0.01579	0.01768	0.02481	0.03045	0.01804
28	0.035714	0.023197	0.01804	0.02021	0.02835	0.03480	0.02062
24	0.041667	0.027063	0.02105	0.02358	0.03308	0.04060	0.02406
20	0.050000	0.032476	0.02526	0.02829	0.03969	0.04871	0.02887
18	0.055556	0.036084	0.02807	0.03143	0.04410	0.05413	0.03208
16	0.062500	0.040595	0.03157	0.03536	0.04962	0.06089	0.03608
14	0.071429	0.046394	0.03608	0.04041	0.05670	0.06959	0.04124
13	0.076923	0.049963	0.03886	0.04352	0.06107	0.07494	0.04441
12	0.083333	0.054127	0.04210	0.04715	0.06615	0.08119	0.04811
11	0.090909	0.059047	0.04593	0.05144	0.07217	0.08857	0.05249
10	0.100000	0.064952	0.05052	0.05658	0.07939	0.09743	0.05774
9	0.111111	0.072169	0.05613	0.06287	0.08821	0.10825	0.06415
8	0.125000	0.081190	0.06315	0.07072	0.09923	0.12178	0.07217
7	0.142857	0.092788	0.07217	0.08083	0.11341	0.13918	0.08248
6	0.166667	0.108253	0.08420	0.09430	0.13231	0.16238	0.09623
5	0.200000	0.129904	0.10104	0.11316	0.15877	0.19486	0.11547
4.5	0.222222	0.144338	0.11226	0.12573	0.17641	0.21651	0.12830
4	0.250000	0.162380	0.12630	0.14145	0.19846	0.24357	0.14434

TABLE 4 LIMIT VALUES, EXTERNAL THREAD ROOT RADIUS R , in.

(1)	(2)	(3)	(4)
No. of Threads per in.	Pitch $P = \frac{1}{n}$	R [Note (1)]	
		Min.	Max.
80	0.012500	0.0019	0.0023
72	0.013889	0.0021	0.0025
64	0.015625	0.0023	0.0028
56	0.017857	0.0027	0.0032
48	0.020833	0.0031	0.0038
44	0.022727	0.0034	0.0041
40	0.025000	0.0038	0.0045
36	0.027778	0.0042	0.0050
32	0.031250	0.0047	0.0056
28	0.035714	0.0054	0.0064
24	0.041667	0.0063	0.0075
20	0.050000	0.0075	0.0090
18	0.055556	0.0083	0.0100
16	0.062500	0.0094	0.0113
14	0.071429	0.0107	0.0129
13	0.076923	0.0115	0.0139
12	0.083333	0.0125	0.0150
11	0.090909	0.0136	0.0164
10	0.100000	0.0150	0.0180
9	0.111111	0.0167	0.0200
8	0.125000	0.0188	0.0226
7	0.142857	0.0214	0.0258
6	0.166667	0.0250	0.0301
5	0.200000	0.0300	0.0361
4.5	0.222222	0.0334	0.0401
4	0.250000	0.0375	0.0451

NOTE:

- (1) R min. = $0.15011P$
- R max. = $0.18042P$

TABLE 5 LIMITING DIMENSIONS AND TOLERANCES, UNJ THREAD FORM

UNIFIED INCH SCREW THREADS
(UNJ THREAD FORM)

ASME B1.15-1995

Nominal Size and Threads per in.	Series Designation	Class	External Threads								Class	Internal Threads				
			Major Diameter		Pitch Diameter		Minor Diameter		Root Radius			Minor Diameter		Pitch Diameter		Major Dia.
			Max.	Min.	Max.	Min.	Max.	Min.	Max.	Min.		Max.	Min.	Max.	Min.	Min.
1	2	3	4	5	6	7	8	9	10	11	12	13	14	15	16	17
0.0600-80	UNJF	2A	0.0595	0.0563	0.0514	0.0496	0.0451	0.0425	0.0023	0.0019	2B	0.0511	0.0479	0.0542	0.0519	0.0600
		3A	0.0600	0.0568	0.0519	0.0506	0.0456	0.0435	0.0023	0.0019	3B	0.0511	0.0479	0.0536	0.0519	0.0600
0.0730-64	UNJC	2A	0.0724	0.0686	0.0623	0.0603	0.0544	0.0515	0.0028	0.0023	2B	0.0619	0.0578	0.0655	0.0629	0.0730
		3A	0.0730	0.0692	0.0629	0.0614	0.0550	0.0526	0.0028	0.0023	3B	0.0619	0.0578	0.0648	0.0629	0.0730
0.0730-72	UNJF	2A	0.0724	0.0689	0.0634	0.0615	0.0564	0.0536	0.0025	0.0021	2B	0.0631	0.0595	0.0665	0.0640	0.0730
		3A	0.0730	0.0695	0.0640	0.0626	0.0570	0.0547	0.0025	0.0021	3B	0.0631	0.0595	0.0659	0.0640	0.0730
0.0860-56	UNJC	2A	0.0854	0.0813	0.0738	0.0717	0.0648	0.0616	0.0032	0.0027	2B	0.0732	0.0686	0.0772	0.0744	0.0860
		3A	0.0860	0.0819	0.0744	0.0728	0.0654	0.0627	0.0032	0.0027	3B	0.0732	0.0686	0.0765	0.0744	0.0860
0.0860-64	UNJF	2A	0.0854	0.0816	0.0753	0.0733	0.0674	0.0645	0.0028	0.0023	2B	0.0749	0.0708	0.0786	0.0759	0.0860
		3A	0.0860	0.0822	0.0759	0.0744	0.0680	0.0656	0.0028	0.0023	3B	0.0749	0.0708	0.0779	0.0759	0.0860
0.0990-48	UNJC	2A	0.0983	0.0938	0.0848	0.0825	0.0743	0.0707	0.0038	0.0031	2B	0.0841	0.0787	0.0885	0.0855	0.0990
		3A	0.0990	0.0945	0.0855	0.0838	0.0750	0.0720	0.0038	0.0031	3B	0.0841	0.0787	0.0877	0.0855	0.0990
0.0990-56	UNJF	2A	0.0983	0.0942	0.0867	0.0845	0.0777	0.0744	0.0032	0.0027	2B	0.0862	0.0816	0.0902	0.0874	0.0990
		3A	0.0990	0.0949	0.0874	0.0858	0.0784	0.0757	0.0032	0.0027	3B	0.0862	0.0816	0.0895	0.0874	0.0990
0.1120-40	UNJC	2A	0.1112	0.1061	0.0950	0.0925	0.0824	0.0784	0.0045	0.0038	2B	0.0942	0.0877	0.0991	0.0958	0.1120
		3A	0.1120	0.1069	0.0958	0.0939	0.0832	0.0798	0.0045	0.0038	3B	0.0942	0.0877	0.0982	0.0958	0.1120
0.1120-48	UNJF	2A	0.1113	0.1068	0.0978	0.0954	0.0873	0.0836	0.0038	0.0031	2B	0.0971	0.0917	0.1016	0.0985	0.1120
		3A	0.1120	0.1075	0.0985	0.0967	0.0880	0.0849	0.0038	0.0031	3B	0.0971	0.0917	0.1008	0.0985	0.1120
0.1250-40	UNJC	2A	0.1242	0.1191	0.1080	0.1054	0.0954	0.0913	0.0045	0.0038	2B	0.1072	0.1007	0.1121	0.1088	0.1250
		3A	0.1250	0.1199	0.1088	0.1069	0.0962	0.0928	0.0045	0.0038	3B	0.1072	0.1007	0.1113	0.1088	0.1250
0.1250-44	UNJF	2A	0.1243	0.1195	0.1095	0.1070	0.0980	0.0941	0.0041	0.0034	2B	0.1088	0.1029	0.1134	0.1102	0.1250
		3A	0.1250	0.1202	0.1102	0.1083	0.0987	0.0954	0.0041	0.0034	3B	0.1088	0.1029	0.1126	0.1102	0.1250
0.1380-32	UNJC	2A	0.1372	0.1312	0.1169	0.1141	0.1011	0.0964	0.0056	0.0047	2B	0.1157	0.1076	0.1214	0.1177	0.1380
		3A	0.1380	0.1320	0.1177	0.1156	0.1019	0.0979	0.0056	0.0047	3B	0.1157	0.1076	0.1204	0.1177	0.1380
0.1380-40	UNJF	2A	0.1372	0.1321	0.1210	0.1184	0.1084	0.1043	0.0045	0.0038	2B	0.1202	0.1137	0.1252	0.1218	0.1380
		3A	0.1380	0.1329	0.1218	0.1198	0.1092	0.1057	0.0045	0.0038	3B	0.1202	0.1137	0.1243	0.1218	0.1380
0.1640-32	UNJC	2A	0.1631	0.1571	0.1428	0.1399	0.1270	0.1222	0.0056	0.0047	2B	0.1417	0.1336	0.1475	0.1437	0.1640
		3A	0.1640	0.1580	0.1437	0.1415	0.1279	0.1238	0.0056	0.0047	3B	0.1417	0.1336	0.1465	0.1437	0.1640
0.1640-36	UNJF	2A	0.1632	0.1577	0.1452	0.1424	0.1312	0.1267	0.0050	0.0042	2B	0.1442	0.1370	0.1496	0.1460	0.1640
		3A	0.1640	0.1585	0.1460	0.1439	0.1320	0.1282	0.0050	0.0042	3B	0.1442	0.1370	0.1487	0.1460	0.1640

(Table 5 continues on next page)

TABLE 5 LIMITING DIMENSIONS AND TOLERANCES, UNJ THREAD FORM (CONT'D)

Nominal Size and Threads per in.	Series Designation	Class	External Threads								Class	Internal Threads				
			Major Diameter		Pitch Diameter		Minor Diameter		Root Radius			Minor Diameter		Pitch Diameter		Major Dia.
			Max.	Min.	Max.	Min.	Max.	Min.	Max.	Min.		Max.	Min.	Max.	Min.	Min.
1	2	3	4	5	6	7	8	9	10	11	12	13	14	15	16	17
0.1900-24	UNJC	2A	0.1890	0.1818	0.1619	0.1586	0.1409	0.1350	0.0075	0.0063	2B	0.1600	0.1494	0.1672	0.1629	0.1900
		3A	0.1900	0.1828	0.1629	0.1604	0.1418	0.1368	0.0075	0.0063	3B	0.1600	0.1494	0.1661	0.1629	0.1900
0.1900-32	UNJF	2A	0.1891	0.1831	0.1688	0.1658	0.1530	0.1481	0.0056	0.0047	2B	0.1675	0.1596	0.1736	0.1697	0.1900
		3A	0.1900	0.1840	0.1697	0.1674	0.1539	0.1497	0.0056	0.0047	3B	0.1675	0.1596	0.1726	0.1697	0.1900
0.2160-24	UNJC	2A	0.2150	0.2078	0.1879	0.1845	0.1669	0.1609	0.0075	0.0063	2B	0.1852	0.1754	0.1933	0.1889	0.2160
		3A	0.2160	0.2088	0.1889	0.1863	0.1678	0.1627	0.0075	0.0063	3B	0.1852	0.1754	0.1922	0.1889	0.2160
0.2160-28	UNJF	2A	0.2150	0.2085	0.1918	0.1886	0.1738	0.1684	0.0064	0.0054	2B	0.1896	0.1812	0.1970	0.1928	0.2160
		3A	0.2160	0.2095	0.1928	0.1904	0.1748	0.1702	0.0064	0.0054	3B	0.1896	0.1812	0.1959	0.1928	0.2160
0.2160-32	UNJEF	2A	0.2151	0.2091	0.1948	0.1917	0.1790	0.1740	0.0056	0.0047	2B	0.1929	0.1856	0.1998	0.1957	0.2160
		3A	0.2160	0.2100	0.1957	0.1933	0.1799	0.1756	0.0056	0.0047	3B	0.1929	0.1856	0.1988	0.1957	0.2160
0.2500-20	UNJC	2A	0.2489	0.2408	0.2164	0.2127	0.1911	0.1844	0.0090	0.0075	2B	0.2121	0.2013	0.2224	0.2175	0.2500
		3A	0.2500	0.2419	0.2175	0.2147	0.1922	0.1864	0.0090	0.0075	3B	0.2121	0.2013	0.2211	0.2175	0.2500
0.2500-28	UNJF	2A	0.2490	0.2425	0.2258	0.2225	0.2078	0.2023	0.0064	0.0054	2B	0.2229	0.2152	0.2311	0.2268	0.2500
		3A	0.2500	0.2435	0.2268	0.2243	0.2088	0.2041	0.0064	0.0054	3B	0.2229	0.2152	0.2300	0.2268	0.2500
0.2500-32	UNJEF	2A	0.2490	0.2430	0.2287	0.2255	0.2129	0.2078	0.0056	0.0047	2B	0.2263	0.2196	0.2339	0.2297	0.2500
		3A	0.2500	0.2440	0.2297	0.2273	0.2139	0.2096	0.0056	0.0047	3B	0.2263	0.2196	0.2328	0.2297	0.2500
0.3125-18	UNJC	2A	0.3113	0.3026	0.2752	0.2712	0.2471	0.2398	0.0100	0.0083	2B	0.2690	0.2584	0.2817	0.2764	0.3125
		3A	0.3125	0.3038	0.2764	0.2734	0.2483	0.2420	0.0100	0.0083	3B	0.2690	0.2584	0.2803	0.2764	0.3125
0.3125-24	UNJF	2A	0.3114	0.3042	0.2843	0.2806	0.2632	0.2570	0.0075	0.0063	2B	0.2799	0.2719	0.2902	0.2854	0.3125
		3A	0.3125	0.3053	0.2854	0.2827	0.2644	0.2591	0.0075	0.0063	3B	0.2799	0.2719	0.2890	0.2854	0.3125
0.3125-32	UNJEF	2A	0.3115	0.3055	0.2912	0.2880	0.2754	0.2703	0.0056	0.0047	2B	0.2881	0.2821	0.2964	0.2922	0.3125
		3A	0.3125	0.3065	0.2922	0.2898	0.2764	0.2721	0.0056	0.0047	3B	0.2881	0.2821	0.2953	0.2922	0.3125
0.3750-16	UNJC	2A	0.3737	0.3643	0.3331	0.3287	0.3015	0.2933	0.0113	0.0094	2B	0.3250	0.3141	0.3401	0.3344	0.3750
		3A	0.3750	0.3656	0.3344	0.3311	0.3028	0.2957	0.0113	0.0094	3B	0.3250	0.3141	0.3387	0.3344	0.3750
0.3750-24	UNJF	2A	0.3739	0.3667	0.3468	0.3430	0.3258	0.3194	0.0075	0.0063	2B	0.3417	0.3344	0.3528	0.3479	0.3750
		3A	0.3750	0.3678	0.3479	0.3450	0.3268	0.3214	0.0075	0.0063	3B	0.3417	0.3344	0.3516	0.3479	0.3750
0.3750-32	UNJEF	2A	0.3740	0.3680	0.3537	0.3503	0.3379	0.3326	0.0056	0.0047	2B	0.3501	0.3446	0.3591	0.3547	0.3750
		3A	0.3750	0.3690	0.3547	0.3522	0.3389	0.3345	0.0056	0.0047	3B	0.3501	0.3446	0.3580	0.3547	0.3750
0.4375-14	UNJC	2A	0.4361	0.4258	0.3897	0.3850	0.3536	0.3446	0.0129	0.0107	2B	0.3795	0.3680	0.3972	0.3911	0.4375
		3A	0.4375	0.4272	0.3911	0.3876	0.3550	0.3472	0.0129	0.0107	3B	0.3795	0.3680	0.3957	0.3911	0.4375

(Table 5 continues on next page)

TABLE 5 LIMITING DIMENSIONS AND TOLERANCES, UNJ THREAD FORM (CONT'D)

Nominal Size and Threads per in.	Series Designation	Class	External Threads								Class	Internal Threads				
			Major Diameter		Pitch Diameter		Minor Diameter		Root Radius			Minor Diameter		Pitch Diameter		Major Dia.
			Max.	Min.	Max.	Min.	Max.	Min.	Max.	Min.		Max.	Min.	Max.	Min.	Min.
1	2	3	4	5	6	7	8	9	10	11	12	13	14	15	16	17
0.4375-16	UNJ	2A	0.4361	0.4267	0.3955	0.3909	0.3639	0.3555	0.0113	0.0094	2B	0.3868	0.3766	0.4028	0.3969	0.4375
		3A	0.4375	0.4281	0.3969	0.3935	0.3653	0.3581	0.0113	0.0094	3B	0.3868	0.3766	0.4014	0.3969	0.4375
0.4375-20	UNJF	2A	0.4362	0.4281	0.4037	0.3995	0.3784	0.3712	0.0090	0.0075	2B	0.3970	0.3888	0.4104	0.4050	0.4375
		3A	0.4375	0.4294	0.4050	0.4019	0.3797	0.3736	0.0090	0.0075	3B	0.3970	0.3888	0.4091	0.4050	0.4375
0.4375-28	UNJEF	2A	0.4364	0.4299	0.4132	0.4096	0.3952	0.3894	0.0064	0.0054	2B	0.4086	0.4027	0.4189	0.4143	0.4375
		3A	0.4375	0.4310	0.4143	0.4116	0.3963	0.3914	0.0064	0.0054	3B	0.4086	0.4027	0.4178	0.4143	0.4375
0.5000-13	UNJC	2A	0.4985	0.4876	0.4485	0.4435	0.4096	0.4000	0.0139	0.0115	2B	0.4368	0.4251	0.4565	0.4500	0.5000
		3A	0.5000	0.4891	0.4500	0.4463	0.4111	0.4028	0.0139	0.0115	3B	0.4368	0.4251	0.4548	0.4500	0.5000
0.5000-16	UNJ	2A	0.4986	0.4892	0.4580	0.4533	0.4264	0.4179	0.0113	0.0094	2B	0.4488	0.4392	0.4655	0.4594	0.5000
		3A	0.5000	0.4906	0.4594	0.4559	0.4278	0.4205	0.0113	0.0094	3B	0.4488	0.4392	0.4640	0.4594	0.5000
0.5000-20	UNJF	2A	0.4987	0.4906	0.4662	0.4619	0.4409	0.4336	0.0090	0.0075	2B	0.4591	0.4513	0.4731	0.4675	0.5000
		3A	0.5000	0.4919	0.4675	0.4643	0.4422	0.4360	0.0090	0.0075	3B	0.4591	0.4513	0.4717	0.4675	0.5000
0.5000-28	UNJEF	2A	0.4989	0.4924	0.4757	0.4720	0.4577	0.4518	0.0064	0.0054	2B	0.4708	0.4652	0.4816	0.4768	0.5000
		3A	0.5000	0.4935	0.4768	0.4740	0.4588	0.4528	0.0064	0.0054	3B	0.4708	0.4652	0.4804	0.4768	0.5000
0.5625-12	UNJC	2A	0.5609	0.5495	0.5068	0.5016	0.4647	0.4545	0.0150	0.0125	2B	0.4914	0.4814	0.5152	0.5084	0.5625
		3A	0.5625	0.5511	0.5084	0.5045	0.4663	0.4574	0.0150	0.0125	3B	0.4914	0.4814	0.5135	0.5084	0.5625
0.5625-16	UNJ	2A	0.5611	0.5517	0.5205	0.5158	0.4889	0.4804	0.0113	0.0094	2B	0.5109	0.5017	0.5280	0.5219	0.5625
		3A	0.5625	0.5531	0.5219	0.5184	0.4903	0.4830	0.0113	0.0094	3B	0.5109	0.5017	0.5265	0.5219	0.5625
0.5625-18	UNJF	2A	0.5611	0.5524	0.5250	0.5205	0.4969	0.4891	0.0100	0.0083	2B	0.5166	0.5084	0.5323	0.5264	0.5625
		3A	0.5625	0.5538	0.5264	0.5230	0.4983	0.4916	0.0100	0.0083	3B	0.5166	0.5084	0.5308	0.5264	0.5625
0.5625-24	UNJEF	2A	0.5613	0.5541	0.5342	0.5303	0.5131	0.5067	0.0075	0.0063	2B	0.5281	0.5219	0.5405	0.5354	0.5625
		3A	0.5625	0.5553	0.5354	0.5325	0.5143	0.5089	0.0075	0.0063	3B	0.5281	0.5219	0.5392	0.5354	0.5625
0.6250-11	UNJC	2A	0.6233	0.6112	0.5643	0.5588	0.5184	0.5074	0.0164	0.0136	2B	0.5474	0.5365	0.5732	0.5660	0.6250
		3A	0.6250	0.6129	0.5660	0.5619	0.5201	0.5105	0.0164	0.0136	3B	0.5474	0.5365	0.5714	0.5660	0.6250
0.6250-12	UNJ	2A	0.6234	0.6120	0.5693	0.5639	0.5272	0.5167	0.0150	0.0125	2B	0.5539	0.5439	0.5780	0.5709	0.6250
		3A	0.6250	0.6136	0.5709	0.5668	0.5288	0.5196	0.0150	0.0125	3B	0.5539	0.5439	0.5762	0.5709	0.6250
0.6250-16	UNJ	2A	0.6236	0.6142	0.5830	0.5782	0.5514	0.5428	0.0113	0.0094	2B	0.5731	0.5642	0.5906	0.5844	0.6250
		3A	0.6250	0.6156	0.5844	0.5808	0.5528	0.5454	0.0113	0.0094	3B	0.5731	0.5642	0.5890	0.5844	0.6250
0.6250-18	UNJF	2A	0.6236	0.6149	0.5875	0.5828	0.5594	0.5514	0.0100	0.0083	2B	0.5788	0.5709	0.5949	0.5889	0.6250
		3A	0.6250	0.6163	0.5889	0.5854	0.5608	0.5540	0.0100	0.0083	3B	0.5788	0.5709	0.5934	0.5889	0.6250

(Table 5 continues on next page)

UNIFIED INCH SCREW THREADS
(UNJ THREAD FORM)

ASME B1.15-1995

TABLE 5 LIMITING DIMENSIONS AND TOLERANCES, UNJ THREAD FORM (CONT'D)

Nominal Size and Threads per in.	Series Designation	Class	External Threads								Class	Internal Threads				
			Major Diameter		Pitch Diameter		Minor Diameter		Root Radius			Minor Diameter		Pitch Diameter		Major Dia.
			Max.	Min.	Max.	Min.	Max.	Min.	Max.	Min.		Max.	Min.	Max.	Min.	Min.
1	2	3	4	5	6	7	8	9	10	11	12	13	14	15	16	17
0.6250-24	UNJEF	2A	0.6238	0.6166	0.5967	0.5927	0.5756	0.5691	0.0075	0.0063	2B	0.5904	0.5844	0.6031	0.5979	0.6250
		3A	0.6250	0.6178	0.5979	0.5949	0.5768	0.5713	0.0075	0.0063	3B	0.5904	0.5844	0.6018	0.5979	0.6250
0.6875-12	UNJ	2A	0.6859	0.6745	0.6318	0.6264	0.5897	0.5792	0.0150	0.0125	2B	0.6164	0.6064	0.6405	0.6334	0.6875
		3A	0.6875	0.6761	0.6334	0.6293	0.5913	0.5822	0.0150	0.0125	3B	0.6164	0.6064	0.6387	0.6334	0.6875
0.6875-16	UNJ	2A	0.6861	0.6767	0.6455	0.6407	0.6139	0.6053	0.0113	0.0094	2B	0.6353	0.6267	0.6531	0.6469	0.6875
		3A	0.6875	0.6781	0.6469	0.6433	0.6153	0.6079	0.0113	0.0094	3B	0.6353	0.6267	0.6515	0.6469	0.6875
0.6875-24	UNJEF	2A	0.6863	0.6791	0.6592	0.6552	0.6381	0.6316	0.0075	0.0063	2B	0.6527	0.6469	0.6656	0.6604	0.6875
		3A	0.6875	0.6803	0.6604	0.6574	0.6393	0.6338	0.0075	0.0063	3B	0.6527	0.6469	0.6643	0.6604	0.6875
0.7500-10	UNJC	2A	0.7482	0.7353	0.6832	0.6773	0.6327	0.6207	0.0180	0.0150	2B	0.6646	0.6526	0.6927	0.6850	0.7500
		3A	0.7500	0.7371	0.6850	0.6806	0.6345	0.6240	0.0180	0.0150	3B	0.6646	0.6526	0.6907	0.6850	0.7500
0.7500-12	UNJ	2A	0.7483	0.7369	0.6942	0.6887	0.6521	0.6416	0.0150	0.0125	2B	0.6789	0.6689	0.7031	0.6959	0.7500
		3A	0.7500	0.7386	0.6959	0.6918	0.6538	0.6446	0.0150	0.0125	3B	0.6789	0.6689	0.7013	0.6959	0.7500
0.7500-16	UNJF	2A	0.7485	0.7391	0.7079	0.7029	0.6763	0.6675	0.0113	0.0094	2B	0.6977	0.6892	0.7159	0.7094	0.7500
		3A	0.7500	0.7406	0.7094	0.7056	0.6778	0.6702	0.0113	0.0094	3B	0.6977	0.6892	0.7143	0.7094	0.7500
0.7500-20	UNJEF	2A	0.7487	0.7406	0.7162	0.7118	0.6909	0.6835	0.0090	0.0075	2B	0.7081	0.7013	0.7232	0.7175	0.7500
		3A	0.7500	0.7419	0.7175	0.7142	0.6922	0.6859	0.0090	0.0075	3B	0.7081	0.7013	0.7218	0.7175	0.7500
0.8125-12	UNJ	2A	0.8108	0.7994	0.7567	0.7512	0.7146	0.7040	0.0150	0.0125	2B	0.7414	0.7314	0.7656	0.7584	0.8125
		3A	0.8125	0.8011	0.7584	0.7543	0.7163	0.7072	0.0150	0.0125	3B	0.7414	0.7314	0.7638	0.7584	0.8125
0.8125-16	UNJ	2A	0.8110	0.8016	0.7704	0.7655	0.7388	0.7301	0.0113	0.0094	2B	0.7602	0.7517	0.7782	0.7719	0.8125
		3A	0.8125	0.8031	0.7719	0.7683	0.7403	0.7329	0.0113	0.0094	3B	0.7602	0.7517	0.7766	0.7719	0.8125
0.8125-20	UNJEF	2A	0.8112	0.8031	0.7787	0.7743	0.7534	0.7460	0.0090	0.0075	2B	0.7706	0.7638	0.7857	0.7800	0.8125
		3A	0.8125	0.8044	0.7800	0.7767	0.7547	0.7484	0.0090	0.0075	3B	0.7706	0.7638	0.7843	0.7800	0.8125
0.8750-9	UNJC	2A	0.8731	0.8592	0.8009	0.7946	0.7448	0.7317	0.0200	0.0167	2B	0.7801	0.7668	0.8110	0.8028	0.8750
		3A	0.8750	0.8611	0.8028	0.7981	0.7467	0.7352	0.0200	0.0167	3B	0.7801	0.7668	0.8089	0.8028	0.8750
0.8750-12	UNJ	2A	0.8733	0.8619	0.8192	0.8137	0.7771	0.7666	0.0150	0.0125	2B	0.8039	0.7939	0.8281	0.8209	0.8750
		3A	0.8750	0.8636	0.8209	0.8168	0.7788	0.7696	0.0150	0.0125	3B	0.8039	0.7939	0.8263	0.8209	0.8750
0.8750-14	UNJF	2A	0.8734	0.8631	0.8270	0.8216	0.7909	0.7812	0.0129	0.0107	2B	0.8152	0.8055	0.8356	0.8286	0.8750
		3A	0.8750	0.8647	0.8286	0.8245	0.7925	0.7841	0.0129	0.0107	3B	0.8152	0.8055	0.8339	0.8286	0.8750
0.8750-16	UNJ	2A	0.8735	0.8641	0.8329	0.8280	0.8013	0.7926	0.0113	0.0094	2B	0.8227	0.8142	0.8407	0.8344	0.8750
		3A	0.8750	0.8656	0.8344	0.8308	0.8028	0.7954	0.0113	0.0094	3B	0.8227	0.8142	0.8391	0.8344	0.8750

(Table 5 continues on next page)

TABLE 5 LIMITING DIMENSIONS AND TOLERANCES, UNJ THREAD FORM (CONT'D)

UNIFIED INCH SCREW THREADS
(UNJ THREAD FORM)

Nominal Size and Threads per in.	Series Designation	Class	External Threads								Class	Internal Threads				
			Major Diameter		Pitch Diameter		Minor Diameter		Root Radius			Minor Diameter		Pitch Diameter		Major Dia.
			Max.	Min.	Max.	Min.	Max.	Min.	Max.	Min.		Max.	Min.	Max.	Min.	Min.
1	2	3	4	5	6	7	8	9	10	11	12	13	14	15	16	17
0.8750-20	UNJEF	2A	0.8737	0.8656	0.8412	0.8368	0.8159	0.8085	0.0090	0.0075	2B	0.8331	0.8263	0.8482	0.8425	0.8750
		3A	0.8750	0.8669	0.8425	0.8392	0.8172	0.8109	0.0090	0.0075	3B	0.8331	0.8263	0.8468	0.8425	0.8750
0.9375-12	UNJ	2A	0.9358	0.9244	0.8817	0.8760	0.8396	0.8288	0.0150	0.0125	2B	0.8664	0.8564	0.8908	0.8834	0.9375
		3A	0.9375	0.9261	0.8834	0.8792	0.8413	0.8320	0.0150	0.0125	3B	0.8664	0.8564	0.8889	0.8834	0.9375
0.9375-16	UNJ	2A	0.9360	0.9266	0.8954	0.8904	0.8638	0.8550	0.0113	0.0094	2B	0.8852	0.8767	0.9034	0.8969	0.9375
		3A	0.9375	0.9281	0.8969	0.8932	0.8653	0.8578	0.0113	0.0094	3B	0.8852	0.8767	0.9018	0.8969	0.9375
0.9375-20	UNJEF	2A	0.9361	0.9280	0.9036	0.8991	0.8783	0.8708	0.0090	0.0075	2B	0.8956	0.8888	0.9109	0.9050	0.9375
		3A	0.9375	0.9294	0.9050	0.9016	0.8797	0.8733	0.0090	0.0075	3B	0.8956	0.8888	0.9094	0.9050	0.9375
1.0000-8	UNJC	2A	0.9980	0.9830	0.9168	0.9100	0.8537	0.8393	0.0226	0.0188	2B	0.8933	0.8783	0.9276	0.9188	1.0000
		3A	1.0000	0.9850	0.9188	0.9137	0.8556	0.8430	0.0226	0.0188	3B	0.8933	0.8783	0.9254	0.9188	1.0000
1.0000-12	UNJF	2A	0.9982	0.9868	0.9441	0.9382	0.9020	0.8910	0.0150	0.0125	2B	0.9289	0.9189	0.9535	0.9459	1.0000
		3A	1.0000	0.9886	0.9459	0.9415	0.9038	0.8944	0.0150	0.0125	3B	0.9289	0.9189	0.9516	0.9459	1.0000
1.0000-16	UNJ	2A	0.9985	0.9891	0.9579	0.9529	0.9263	0.9175	0.0113	0.0094	2B	0.9477	0.9392	0.9659	0.9594	1.0000
		3A	1.0000	0.9906	0.9594	0.9557	0.9278	0.9203	0.0113	0.0094	3B	0.9477	0.9392	0.9643	0.9594	1.0000
1.0000-20	UNJEF	2A	0.9986	0.9905	0.9661	0.9616	0.9408	0.9333	0.0090	0.0075	2B	0.9581	0.9513	0.9734	0.9675	1.0000
		3A	1.0000	0.9919	0.9675	0.9641	0.9422	0.9358	0.0090	0.0075	3B	0.9581	0.9513	0.9719	0.9675	1.0000
1.0625-8	UNJ	2A	1.0605	1.0455	0.9793	0.9725	0.9162	0.9018	0.0226	0.0188	2B	0.9558	0.9408	0.9902	0.9813	1.0625
		3A	1.0625	1.0475	0.9813	0.9762	0.9182	0.9055	0.0226	0.0188	3B	0.9558	0.9408	0.9880	0.9813	1.0625
1.0625-12	UNJ	2A	1.0608	1.0494	1.0067	1.0010	0.9646	0.9538	0.0150	0.0125	2B	0.9914	0.9814	1.0158	1.0084	1.0625
		3A	1.0625	1.0511	1.0084	1.0042	0.9663	0.9571	0.0150	0.0125	3B	0.9914	0.9814	1.0139	1.0084	1.0625
1.0625-16	UNJ	2A	1.0610	1.0516	1.0204	1.0154	0.9888	0.9800	0.0113	0.0094	2B	1.0102	1.0017	1.0284	1.0219	1.0625
		3A	1.0625	1.0531	1.0219	1.0182	0.9903	0.9828	0.0113	0.0094	3B	1.0102	1.0017	1.0268	1.0219	1.0625
1.0625-18	UNJEF	2A	1.0611	1.0524	1.0250	1.0203	0.9969	0.9889	0.0100	0.0083	2B	1.0159	1.0084	1.0326	1.0264	1.0625
		3A	1.0625	1.0538	1.0264	1.0228	0.9983	0.9914	0.0100	0.0083	3B	1.0159	1.0084	1.0310	1.0264	1.0625
1.1250-7	UNJC	2A	1.1228	1.1064	1.0300	1.0228	0.9578	0.9420	0.0258	0.0214	2B	1.0030	0.9859	1.0416	1.0322	1.1250
		3A	1.1250	1.1086	1.0322	1.0268	0.9600	0.9460	0.0258	0.0214	3B	1.0030	0.9859	1.0393	1.0322	1.1250
1.1250-8	UNJ	2A	1.1229	1.1079	1.0417	1.0348	0.9786	0.9641	0.0226	0.0188	2B	1.0183	1.0033	1.0528	1.0438	1.1250
		3A	1.1250	1.1100	1.0438	1.0386	0.9806	0.9679	0.0226	0.0188	3B	1.0183	1.0033	1.0505	1.0438	1.1250
1.1250-12	UNJF	2A	1.1232	1.1118	1.0691	1.0631	1.0270	1.0160	0.0150	0.0125	2B	1.0539	1.0439	1.0787	1.0709	1.1250
		3A	1.1250	1.1136	1.0709	1.0664	1.0288	1.0193	0.0150	0.0125	3B	1.0539	1.0439	1.0768	1.0709	1.1250

(Table 5 continues on next page)

ASME B1.15-1995

TABLE 5 LIMITING DIMENSIONS AND TOLERANCES, UNJ THREAD FORM (CONT'D)

Nominal Size and Threads per in.	Series Designation	Class	External Threads								Class	Internal Threads				
			Major Diameter		Pitch Diameter		Minor Diameter		Root Radius			Minor Diameter		Pitch Diameter		Major Dia.
			Max.	Min.	Max.	Min.	Max.	Min.	Max.	Min.		Max.	Min.	Max.	Min.	Min.
1	2	3	4	5	6	7	8	9	10	11	12	13	14	15	16	17
1.1250-16	UNJ	2A	1.1235	1.1141	1.0829	1.0779	1.0513	1.0425	0.0113	0.0094	2B	1.0727	1.0642	1.0909	1.0844	1.1250
		3A	1.1250	1.1156	1.0844	1.0807	1.0528	1.0453	0.0113	0.0094	3B	1.0727	1.0642	1.0893	1.0844	1.1250
1.1250-18	UNJEF	2A	1.1236	1.1149	1.0875	1.0828	1.0594	1.0514	0.0100	0.0083	2B	1.0784	1.0709	1.0951	1.0889	1.1250
		3A	1.1250	1.1163	1.0889	1.0853	1.0608	1.0539	0.0100	0.0083	3B	1.0784	1.0709	1.0935	1.0889	1.1250
1.1875-8	UNJ	2A	1.1854	1.1704	1.1042	1.0972	1.0410	1.0265	0.0226	0.0188	2B	1.0808	1.0658	1.1154	1.1063	1.1875
		3A	1.1875	1.1725	1.1063	1.1011	1.0432	1.0304	0.0226	0.0188	3B	1.0808	1.0658	1.1131	1.1063	1.1875
1.1875-12	UNJ	2A	1.1858	1.1744	1.1317	1.1259	1.0896	1.0788	0.0150	0.0125	2B	1.1164	1.1064	1.1409	1.1334	1.1875
		3A	1.1875	1.1761	1.1334	1.1291	1.0913	1.0820	0.0150	0.0125	3B	1.1164	1.1064	1.1390	1.1334	1.1875
1.1875-16	UNJ	2A	1.1860	1.1766	1.1454	1.1403	1.1138	1.1049	0.0113	0.0094	2B	1.1352	1.1267	1.1535	1.1469	1.1875
		3A	1.1875	1.1781	1.1469	1.1431	1.1153	1.1077	0.0113	0.0094	3B	1.1352	1.1267	1.1519	1.1469	1.1875
1.1875-18	UNJEF	2A	1.1860	1.1773	1.1499	1.1450	1.1218	1.1136	0.0100	0.0083	2B	1.1409	1.1334	1.1577	1.1514	1.1875
		3A	1.1875	1.1788	1.1514	1.1478	1.1233	1.1164	0.0100	0.0083	3B	1.1409	1.1334	1.1561	1.1514	1.1875
1.2500-7	UNJC	2A	1.2478	1.2314	1.1550	1.1476	1.0828	1.0668	0.0258	0.0214	2B	1.1280	1.1109	1.1668	1.1572	1.2500
		3A	1.2500	1.2336	1.1572	1.1517	1.0850	1.0709	0.0258	0.0214	3B	1.1280	1.1109	1.1644	1.1572	1.2500
1.2500-8	UNJ	2A	1.2479	1.2329	1.1667	1.1597	1.1036	1.0890	0.0226	0.0188	2B	1.1433	1.1283	1.1780	1.1688	1.2500
		3A	1.2500	1.2350	1.1688	1.1635	1.1056	1.0928	0.0226	0.0188	3B	1.1433	1.1283	1.1757	1.1688	1.2500
1.2500-12	UNJF	2A	1.2482	1.2368	1.1941	1.1879	1.1520	1.1408	0.0150	0.0125	2B	1.1789	1.1689	1.2039	1.1959	1.2500
		3A	1.2500	1.2386	1.1959	1.1913	1.1538	1.1442	0.0150	0.0125	3B	1.1789	1.1689	1.2019	1.1959	1.2500
1.2500-16	UNJ	2A	1.2485	1.2391	1.2079	1.2028	1.1763	1.1674	0.0113	0.0094	2B	1.1977	1.1892	1.2160	1.2094	1.2500
		3A	1.2500	1.2406	1.2094	1.2056	1.1778	1.1702	0.0113	0.0094	3B	1.1977	1.1892	1.2144	1.2094	1.2500
1.2500-18	UNJEF	2A	1.2485	1.2398	1.2124	1.2075	1.1843	1.1761	0.0100	0.0083	2B	1.2034	1.1959	1.2202	1.2139	1.2500
		3A	1.2500	1.2413	1.2139	1.2103	1.1858	1.1789	0.0100	0.0083	3B	1.2034	1.1959	1.2186	1.2139	1.2500
1.3125-8	UNJ	2A	1.3104	1.2954	1.2292	1.2221	1.1660	1.1514	0.0226	0.0188	2B	1.2058	1.1908	1.2405	1.2313	1.3125
		3A	1.3125	1.2975	1.2313	1.2260	1.1682	1.1553	0.0226	0.0188	3B	1.2058	1.1908	1.2382	1.2313	1.3125
1.3125-12	UNJ	2A	1.3108	1.2994	1.2567	1.2509	1.2146	1.2038	0.0150	0.0125	2B	1.2414	1.2314	1.2659	1.2584	1.3125
		3A	1.3125	1.3011	1.2584	1.2541	1.2163	1.2070	0.0150	0.0125	3B	1.2414	1.2314	1.2640	1.2584	1.3125
1.3125-16	UNJ	2A	1.3110	1.3016	1.2704	1.2653	1.2388	1.2299	0.0113	0.0094	2B	1.2602	1.2517	1.2785	1.2719	1.3125
		3A	1.3125	1.3031	1.2719	1.2681	1.2403	1.2327	0.0113	0.0094	3B	1.2602	1.2517	1.2769	1.2719	1.3125
1.3125-18	UNJEF	2A	1.3110	1.3023	1.2749	1.2700	1.2468	1.2386	0.0100	0.0083	2B	1.2659	1.2584	1.2827	1.2764	1.3125
		3A	1.3125	1.3038	1.2764	1.2728	1.2483	1.2414	0.0100	0.0083	3B	1.2659	1.2584	1.2811	1.2764	1.3125

(Table 5 continues on next page)

TABLE 5 LIMITING DIMENSIONS AND TOLERANCES, UNJ THREAD FORM (CONT'D)

UNIFIED INCH SCREW THREADS
(UNJ THREAD FORM)

Nominal Size and Threads per in.	Series Designation	Class	External Threads								Class	Internal Threads				
			Major Diameter		Pitch Diameter		Minor Diameter		Root Radius			Minor Diameter		Pitch Diameter		Major Dia.
			Max.	Min.	Max.	Min.	Max.	Min.	Max.	Min.		Max.	Min.	Max.	Min.	Min.
1	2	3	4	5	6	7	8	9	10	11	12	13	14	15	16	17
1.3750-6	UNJC	2A	1.3726	1.3544	1.2643	1.2563	1.1801	1.1620	0.0301	0.0250	2B	1.2327	1.2127	1.2771	1.2667	1.3750
		3A	1.3750	1.3568	1.2667	1.2607	1.1825	1.1664	0.0301	0.0250	3B	1.2327	1.2127	1.2745	1.2667	1.3750
1.3750-8	UNJ	2A	1.3728	1.3578	1.2916	1.2844	1.2285	1.2137	0.0226	0.0188	2B	1.2683	1.2533	1.3031	1.2938	1.3750
		3A	1.3750	1.3600	1.2938	1.2884	1.2306	1.2177	0.0226	0.0188	3B	1.2683	1.2533	1.3008	1.2938	1.3750
1.3750-12	UNJF	2A	1.3731	1.3617	1.3190	1.3127	1.2769	1.2656	0.0150	0.0125	2B	1.3039	1.2939	1.3291	1.3209	1.3750
		3A	1.3750	1.3636	1.3209	1.3162	1.2788	1.2691	0.0150	0.0125	3B	1.3039	1.2939	1.3270	1.3209	1.3750
1.3750-16	UNJ	2A	1.3735	1.3641	1.3329	1.3278	1.3013	1.2924	0.0113	0.0094	2B	1.3227	1.3142	1.3410	1.3344	1.3750
		3A	1.3750	1.3656	1.3344	1.3306	1.3028	1.2952	0.0113	0.0094	3B	1.3227	1.3142	1.3394	1.3344	1.3750
1.3750-18	UNJEF	2A	1.3735	1.3648	1.3374	1.3325	1.3093	1.3011	0.0100	0.0083	2B	1.3284	1.3209	1.3452	1.3389	1.3750
		3A	1.3750	1.3663	1.3389	1.3353	1.3108	1.3039	0.0100	0.0083	3B	1.3284	1.3209	1.3436	1.3389	1.3750
1.4375-8	UNJ	2A	1.4353	1.4203	1.3541	1.3469	1.2910	1.2762	0.0226	0.0188	2B	1.3308	1.3158	1.3657	1.3563	1.4375
		3A	1.4375	1.4225	1.3563	1.3509	1.2932	1.2802	0.0226	0.0188	3B	1.3308	1.3158	1.3634	1.3563	1.4375
1.4375-12	UNJ	2A	1.4357	1.4243	1.3816	1.3757	1.3395	1.3286	0.0150	0.0125	2B	1.3664	1.3564	1.3910	1.3834	1.4375
		3A	1.4375	1.4261	1.3834	1.3790	1.3413	1.3318	0.0150	0.0125	3B	1.3664	1.3564	1.3891	1.3834	1.4375
1.4375-16	UNJ	2A	1.4359	1.4265	1.3953	1.3901	1.3637	1.3547	0.0113	0.0094	2B	1.3852	1.3767	1.4037	1.3969	1.4375
		3A	1.4375	1.4281	1.3969	1.3930	1.3653	1.3576	0.0113	0.0094	3B	1.3852	1.3767	1.4020	1.3969	1.4375
1.4375-18	UNJEF	2A	1.4360	1.4273	1.3999	1.3949	1.3718	1.3625	0.0100	0.0083	2B	1.3909	1.3834	1.4079	1.4014	1.4375
		3A	1.4375	1.4288	1.4014	1.3977	1.3733	1.3663	0.0100	0.0083	3B	1.3909	1.3834	1.4062	1.4014	1.4375
1.5000-6	UNJC	2A	1.4976	1.4794	1.3893	1.3812	1.3051	1.2869	0.0301	0.0250	2B	1.3577	1.3377	1.4022	1.3917	1.5000
		3A	1.5000	1.4818	1.3917	1.3856	1.3075	1.2913	0.0301	0.0250	3B	1.3577	1.3377	1.3996	1.3917	1.5000
1.5000-8	UNJ	2A	1.4978	1.4828	1.4166	1.4093	1.3535	1.3386	0.0226	0.0188	2B	1.3933	1.3783	1.4283	1.4188	1.5000
		3A	1.5000	1.4850	1.4188	1.4133	1.3556	1.3426	0.0226	0.0188	3B	1.3933	1.3783	1.4259	1.4188	1.5000
1.5000-12	UNJF	2A	1.4981	1.4867	1.4440	1.4376	1.4019	1.3905	0.0150	0.0125	2B	1.4289	1.4189	1.4542	1.4459	1.5000
		3A	1.5000	1.4886	1.4459	1.4411	1.4038	1.3940	0.0150	0.0125	3B	1.4289	1.4189	1.4522	1.4459	1.5000
1.5000-16	UNJ	2A	1.4984	1.4890	1.4578	1.4526	1.4262	1.4172	0.0113	0.0094	2B	1.4477	1.4392	1.4662	1.4594	1.5000
		3A	1.5000	1.4906	1.4594	1.4555	1.4278	1.4201	0.0113	0.0094	3B	1.4477	1.4392	1.4645	1.4594	1.5000
1.5000-18	UNJEF	2A	1.4985	1.4898	1.4624	1.4574	1.4343	1.4260	0.0100	0.0083	2B	1.4534	1.4459	1.4704	1.4639	1.5000
		3A	1.5000	1.4913	1.4639	1.4602	1.4358	1.4288	0.0100	0.0083	3B	1.4534	1.4459	1.4687	1.4639	1.5000
1.5625-8	UNJ	2A	1.5603	1.5453	1.4791	1.4717	1.4160	1.4010	0.0226	0.0188	2B	1.4558	1.4408	1.4909	1.4813	1.5625
		3A	1.5625	1.5475	1.4813	1.4758	1.4182	1.4051	0.0226	0.0188	3B	1.4558	1.4408	1.4885	1.4813	1.5625

(Table 5 continues on next page)

ASME B1.15-1995

TABLE 5 LIMITING DIMENSIONS AND TOLERANCES, UNJ THREAD FORM (CONT'D)

Nominal Size and Threads per in.	Series Designation	Class	External Threads								Class	Internal Threads				
			Major Diameter		Pitch Diameter		Minor Diameter		Root Radius			Minor Diameter		Pitch Diameter		Major Dia.
			Max.	Min.	Max.	Min.	Max.	Min.	Max.	Min.		Max.	Min.	Max.	Min.	Min.
1	2	3	4	5	6	7	8	9	10	11	12	13	14	15	16	17
1.5625-12	UNJ	2A	1.5607	1.5493	1.5066	1.5007	1.4645	1.4536	0.0150	0.0125	2B	1.4914	1.4814	1.5160	1.5084	1.5625
		3A	1.5625	1.5511	1.5084	1.5040	1.4663	1.4568	0.0150	0.0125	3B	1.4914	1.4814	1.5141	1.5084	1.5625
1.5625-16	UNJ	2A	1.5609	1.5515	1.5203	1.5151	1.4887	1.4797	0.0113	0.0094	2B	1.5102	1.5017	1.5287	1.5219	1.5625
		3A	1.5625	1.5531	1.5219	1.5180	1.4903	1.4826	0.0113	0.0094	3B	1.5102	1.5017	1.5270	1.5219	1.5625
1.5625-18	UNJEF	2A	1.5610	1.5523	1.5249	1.5199	1.4968	1.4885	0.0100	0.0083	2B	1.5159	1.5084	1.5329	1.5264	1.5625
		3A	1.5625	1.5538	1.5264	1.5227	1.4983	1.4913	0.0100	0.0083	3B	1.5159	1.5084	1.5312	1.5264	1.5625
1.6250-8	UNJ	2A	1.6228	1.6078	1.5416	1.5342	1.4785	1.4635	0.0226	0.0188	2B	1.5183	1.5033	1.5535	1.5438	1.6250
		3A	1.6250	1.6100	1.5438	1.5382	1.4806	1.4675	0.0226	0.0188	3B	1.5183	1.5033	1.5510	1.5438	1.6250
1.6250-12	UNJ	2A	1.6232	1.6118	1.5691	1.5632	1.5270	1.5160	0.0150	0.0125	2B	1.5539	1.5439	1.5785	1.5709	1.6250
		3A	1.6250	1.6136	1.5709	1.5665	1.5288	1.5194	0.0150	0.0125	3B	1.5539	1.5439	1.5766	1.5709	1.6250
1.6250-16	UNJ	2A	1.6234	1.6140	1.5828	1.5776	1.5512	1.5422	0.0113	0.0094	2B	1.5727	1.5642	1.5912	1.5844	1.6250
		3A	1.6250	1.6156	1.5844	1.5805	1.5528	1.5451	0.0113	0.0094	3B	1.5727	1.5642	1.5895	1.5844	1.6250
1.6250-18	UNJEF	2A	1.6235	1.6148	1.5874	1.5824	1.5593	1.5510	0.0100	0.0083	2B	1.5784	1.5709	1.5954	1.5889	1.6250
		3A	1.6250	1.6163	1.5889	1.5852	1.5608	1.5538	0.0100	0.0083	3B	1.5784	1.5709	1.5937	1.5889	1.6250
1.6875-8	UNJ	2A	1.6853	1.6703	1.6041	1.5966	1.5410	1.5259	0.0226	0.0188	2B	1.5808	1.5658	1.6160	1.6063	1.6875
		3A	1.6875	1.6725	1.6063	1.6007	1.5432	1.5300	0.0226	0.0188	3B	1.5808	1.5658	1.6136	1.6063	1.6875
1.6875-12	UNJ	2A	1.6857	1.6743	1.6316	1.6256	1.5895	1.5784	0.0150	0.0125	2B	1.6164	1.6064	1.6412	1.6334	1.6875
		3A	1.6875	1.6761	1.6334	1.6289	1.5913	1.5818	0.0150	0.0125	3B	1.6164	1.6064	1.6392	1.6334	1.6875
1.6875-16	UNJ	2A	1.6859	1.6765	1.6453	1.6400	1.6137	1.6046	0.0113	0.0094	2B	1.6352	1.6267	1.6538	1.6469	1.6875
		3A	1.6875	1.6781	1.6469	1.6429	1.6153	1.6075	0.0113	0.0094	3B	1.6352	1.6267	1.6521	1.6469	1.6875
1.6875-18	UNJEF	2A	1.6860	1.6773	1.6499	1.6448	1.6218	1.6134	0.0100	0.0083	2B	1.6409	1.6334	1.6580	1.6514	1.6875
		3A	1.6875	1.6788	1.6514	1.6476	1.6233	1.6162	0.0100	0.0083	3B	1.6409	1.6334	1.6563	1.6514	1.6875
1.7500-5	UNJC	2A	1.7473	1.7268	1.6174	1.6085	1.5164	1.4953	0.0361	0.0300	2B	1.5792	1.5552	1.6317	1.6201	1.7500
		3A	1.7500	1.7295	1.6201	1.6134	1.5191	1.5002	0.0361	0.0300	3B	1.5792	1.5552	1.6288	1.6201	1.7500
1.7500-8	UNJ	2A	1.7477	1.7327	1.6665	1.6590	1.6034	1.5883	0.0226	0.0188	2B	1.6433	1.6283	1.6786	1.6688	1.7500
		3A	1.7500	1.7350	1.6688	1.6631	1.6056	1.5924	0.0226	0.0188	3B	1.6433	1.6283	1.6762	1.6688	1.7500
1.7500-12	UNJ	2A	1.7482	1.7368	1.6941	1.6881	1.6520	1.6410	0.0150	0.0125	2B	1.6789	1.6689	1.7037	1.6959	1.7500
		3A	1.7500	1.7386	1.6959	1.6914	1.6538	1.6442	0.0150	0.0125	3B	1.6789	1.6689	1.7017	1.6959	1.7500
1.7500-16	UNJ	2A	1.7484	1.7390	1.7078	1.7025	1.6762	1.6671	0.0113	0.0094	2B	1.6977	1.6892	1.7163	1.7094	1.7500
		3A	1.7500	1.7406	1.7094	1.7054	1.6778	1.6700	0.0113	0.0094	3B	1.6977	1.6892	1.7146	1.7094	1.7500

(Table 5 continues on next page)

TABLE 5 LIMITING DIMENSIONS AND TOLERANCES, UNJ THREAD FORM (CONT'D)

UNIFIED INCH SCREW THREADS
(UNJ THREAD FORM)

Nominal Size and Threads per in.	Series Designation	Class	External Threads								Class	Internal Threads				
			Major Diameter		Pitch Diameter		Minor Diameter		Root Radius			Minor Diameter		Pitch Diameter		Major Dia.
			Max.	Min.	Max.	Min.	Max.	Min.	Max.	Min.		Max.	Min.	Max.	Min.	Min.
1	2	3	4	5	6	7	8	9	10	11	12	13	14	15	16	17
1.8125-8	UNJ	2A	1.8102	1.7952	1.7290	1.7214	1.6658	1.6507	0.0226	0.0188	2B	1.7058	1.6908	1.7412	1.7313	1.8125
		3A	1.8125	1.7975	1.7313	1.7256	1.6682	1.6549	0.0226	0.0188	3B	1.7058	1.6908	1.7387	1.7313	1.8125
1.8125-12	UNJ	2A	1.8107	1.7993	1.7566	1.7506	1.7145	1.7034	0.0150	0.0125	2B	1.7414	1.7314	1.7662	1.7584	1.8125
		3A	1.8125	1.8011	1.7584	1.7539	1.7163	1.7068	0.0150	0.0125	3B	1.7414	1.7314	1.7642	1.7584	1.8125
1.8125-16	UNJ	2A	1.8109	1.8015	1.7703	1.7650	1.7387	1.7296	0.0113	0.0094	2B	1.7602	1.7517	1.7788	1.7719	1.8125
		3A	1.8125	1.8031	1.7719	1.7679	1.7403	1.7325	0.0113	0.0094	3B	1.7602	1.7517	1.7771	1.7719	1.8125
1.8750-8	UNJ	2A	1.8727	1.8577	1.7915	1.7838	1.7284	1.7131	0.0226	0.0188	2B	1.7683	1.7533	1.8038	1.7938	1.8750
		3A	1.8750	1.8600	1.7938	1.7881	1.7306	1.7174	0.0226	0.0188	3B	1.7683	1.7533	1.8013	1.7938	1.8750
1.8750-12	UNJ	2A	1.8732	1.8618	1.8191	1.8131	1.7770	1.7660	0.0150	0.0125	2B	1.8039	1.7939	1.8287	1.8209	1.8750
		3A	1.8750	1.8636	1.8209	1.8164	1.7788	1.7692	0.0150	0.0125	3B	1.8039	1.7939	1.8267	1.8209	1.8750
1.8750-16	UNJ	2A	1.8734	1.8640	1.8328	1.8275	1.8012	1.7921	0.0113	0.0094	2B	1.8227	1.8142	1.8413	1.8344	1.8750
		3A	1.8750	1.8656	1.8344	1.8304	1.8028	1.7950	0.0113	0.0094	3B	1.8227	1.8142	1.8396	1.8344	1.8750
1.9375-8	UNJ	2A	1.9352	1.9202	1.8540	1.8463	1.7908	1.7756	0.0226	0.0188	2B	1.8308	1.8158	1.8663	1.8563	1.9375
		3A	1.9375	1.9225	1.8563	1.8505	1.7932	1.7798	0.0226	0.0188	3B	1.8308	1.8158	1.8638	1.8563	1.9375
1.9375-12	UNJ	2A	1.9357	1.9243	1.8816	1.8755	1.8395	1.8284	0.0150	0.0125	2B	1.8664	1.8564	1.8913	1.8834	1.9375
		3A	1.9375	1.9261	1.8834	1.8789	1.8413	1.8318	0.0150	0.0125	3B	1.8664	1.8564	1.8893	1.8834	1.9375
1.9375-16	UNJ	2A	1.9359	1.9265	1.8953	1.8899	1.8637	1.8545	0.0113	0.0094	2B	1.8852	1.8767	1.9039	1.8969	1.9375
		3A	1.9375	1.9281	1.8969	1.8929	1.8653	1.8575	0.0113	0.0094	3B	1.8852	1.8767	1.9021	1.8969	1.9375
2.0000-4.5	UNJC	2A	1.9971	1.9751	1.8528	1.8433	1.7405	1.7176	0.0401	0.0334	2B	1.8102	1.7835	1.8681	1.8557	2.0000
		3A	2.0000	1.9780	1.8557	1.8486	1.7434	1.7229	0.0401	0.0334	3B	1.8102	1.7835	1.8650	1.8557	2.0000
2.0000-8	UNJ	2A	1.9977	1.9827	1.9165	1.9087	1.8534	1.8380	0.0226	0.0188	2B	1.8933	1.8783	1.9289	1.9188	2.0000
		3A	2.0000	1.9850	1.9188	1.9130	1.8556	1.8423	0.0226	0.0188	3B	1.8933	1.8783	1.9264	1.9188	2.0000
2.0000-12	UNJ	2A	1.9982	1.9868	1.9441	1.9380	1.9020	1.8908	0.0150	0.0125	2B	1.9289	1.9189	1.9538	1.9459	2.0000
		3A	2.0000	1.9886	1.9459	1.9414	1.9038	1.8942	0.0150	0.0125	3B	1.9289	1.9189	1.9518	1.9459	2.0000
2.0000-16	UNJ	2A	1.9984	1.9890	1.9578	1.9524	1.9262	1.9170	0.0113	0.0094	2B	1.9477	1.9392	1.9664	1.9594	2.0000
		3A	2.0000	1.9906	1.9594	1.9554	1.9278	1.9200	0.0113	0.0094	3B	1.9477	1.9392	1.9646	1.9594	2.0000
2.1250-8	UNJ	2A	2.1226	2.1076	2.0414	2.0335	1.9782	1.9628	0.0226	0.0188	2B	2.0183	2.0033	2.0540	2.0438	2.1250
		3A	2.1250	2.1100	2.0438	2.0379	1.9806	1.9672	0.0226	0.0188	3B	2.0183	2.0033	2.0515	2.0438	2.1250
2.1250-12	UNJ	2A	2.1232	2.1118	2.0691	2.0630	2.0270	2.0158	0.0150	0.0125	2B	2.0539	2.0439	2.0788	2.0709	2.1250
		3A	2.1250	2.1136	2.0709	2.0664	2.0288	2.0192	0.0150	0.0125	3B	2.0539	2.0439	2.0768	2.0709	2.1250

25

(Table 5 continues on next page)

ASME B1.15-1995

TABLE 5 LIMITING DIMENSIONS AND TOLERANCES, UNJ THREAD FORM (CONT'D)

ASME B1.15-1995

Nominal Size and Threads per in.	Series Designation	Class	External Threads								Class	Internal Threads				
			Major Diameter		Pitch Diameter		Minor Diameter		Root Radius			Minor Diameter		Pitch Diameter		Major Dia.
			Max.	Min.	Max.	Min.	Max.	Min.	Max.	Min.		Max.	Min.	Max.	Min.	Min.
1	2	3	4	5	6	7	8	9	10	11	12	13	14	15	16	17
2.1250-16	UNJ	2A	2.1234	2.1140	2.0828	2.0774	2.0512	2.0420	0.0113	0.0094	2B	2.0727	2.0642	2.0914	2.0844	2.1250
		3A	2.1250	2.1156	2.0844	2.0804	2.0528	2.0450	0.0113	0.0094	3B	2.0727	2.0642	2.0896	2.0844	2.1250
2.2500-4.5	UNJC	2A	2.2471	2.2251	2.1028	2.0931	1.9905	1.9674	0.0401	0.0334	2B	2.0602	2.0335	2.1183	2.1057	2.2500
		3A	2.2500	2.2280	2.1057	2.0984	1.9934	1.9727	0.0401	0.0334	3B	2.0602	2.0335	2.1152	2.1057	2.2500
2.2500-8	UNJ	2A	2.2476	2.2326	2.1664	2.1584	2.1032	2.0877	0.0226	0.0188	2B	2.1433	2.1283	2.1792	2.1688	2.2500
		3A	2.2500	2.2350	2.1688	2.1628	2.1056	2.0921	0.0226	0.0188	3B	2.1433	2.1283	2.1766	2.1688	2.2500
2.2500-12	UNJ	2A	2.2482	2.2368	2.1941	2.1880	2.1520	2.1408	0.0150	0.0125	2B	2.1789	2.1689	2.2038	2.1959	2.2500
		3A	2.2500	2.2386	2.1959	2.1914	2.1538	2.1442	0.0150	0.0125	3B	2.1789	2.1689	2.2018	2.1959	2.2500
2.2500-16	UNJ	2A	2.2484	2.2390	2.2078	2.2024	2.1762	2.1670	0.0113	0.0094	2B	2.1977	2.1892	2.2164	2.2094	2.2500
		3A	2.2500	2.2406	2.2094	2.2054	2.1778	2.1700	0.0113	0.0094	3B	2.1977	2.1892	2.2146	2.2094	2.2500
2.3750-8	UNJ	2A	2.3726	2.3576	2.2914	2.2833	2.2282	2.2126	0.0226	0.0188	2B	2.2683	2.2533	2.3043	2.2938	2.3750
		3A	2.3750	2.3600	2.2938	2.2878	2.2306	2.2171	0.0226	0.0188	3B	2.2683	2.2533	2.3017	2.2938	2.3750
2.3750-12	UNJ	2A	2.3731	2.3617	2.3190	2.3128	2.2769	2.2656	0.0150	0.0125	2B	2.3039	2.2939	2.3290	2.3209	2.3750
		3A	2.3750	2.3636	2.3209	2.3163	2.2788	2.2692	0.0150	0.0125	3B	2.3039	2.2939	2.3269	2.3209	2.3750
2.3750-16	UNJ	2A	2.3733	2.3639	2.3327	2.3272	2.3011	2.2918	0.0113	0.0094	2B	2.3227	2.3142	2.3416	2.3344	2.3750
		3A	2.3750	2.3656	2.3344	2.3303	2.3028	2.2949	0.0113	0.0094	3B	2.3227	2.3142	2.3398	2.3344	2.3750
2.5000-4	UNJC	2A	2.4969	2.4731	2.3345	2.3241	2.2082	2.1826	0.0451	0.0375	2B	2.2865	2.2565	2.3511	2.3376	2.5000
		3A	2.5000	2.4762	2.3376	2.3298	2.2113	2.1883	0.0451	0.0375	3B	2.2865	2.2565	2.3477	2.3376	2.5000
2.5000-8	UNJ	2A	2.4976	2.4826	2.4164	2.4082	2.3532	2.3375	0.0226	0.0188	2B	2.3933	2.3783	2.4294	2.4188	2.5000
		3A	2.5000	2.4850	2.4188	2.4127	2.3556	2.3420	0.0226	0.0188	3B	2.3933	2.3783	2.4268	2.4188	2.5000
2.5000-12	UNJ	2A	2.4981	2.4867	2.4440	2.4378	2.4019	2.3906	0.0150	0.0125	2B	2.4289	2.4189	2.4540	2.4459	2.5000
		3A	2.5000	2.4886	2.4459	2.4413	2.4038	2.3942	0.0150	0.0125	3B	2.4289	2.4189	2.4519	2.4459	2.5000
2.5000-16	UNJ	2A	2.4983	2.4889	2.4577	2.4522	2.4261	2.4168	0.0113	0.0094	2B	2.4477	2.4392	2.4666	2.4594	2.5000
		3A	2.5000	2.4906	2.4594	2.4553	2.4278	2.4199	0.0113	0.0094	3B	2.4477	2.4392	2.4648	2.4594	2.5000
2.6250-8	UNJ	2A	2.6225	2.6075	2.5413	2.5331	2.4782	2.4624	0.0226	0.0188	2B	2.5183	2.5033	2.5545	2.5438	2.6250
		3A	2.6250	2.6100	2.5438	2.5376	2.4806	2.4669	0.0226	0.0188	3B	2.5183	2.5033	2.5518	2.5438	2.6250
2.6250-12	UNJ	2A	2.6231	2.6117	2.5690	2.5628	2.5269	2.5156	0.0150	0.0125	2B	2.5539	2.5439	2.5790	2.5709	2.6250
		3A	2.6250	2.6136	2.5709	2.5663	2.5288	2.5192	0.0150	0.0125	3B	2.5539	2.5439	2.5769	2.5709	2.6250
2.6250-16	UNJ	2A	2.6233	2.6139	2.5827	2.5772	2.5511	2.5418	0.0113	0.0094	2B	2.5727	2.5642	2.5916	2.5844	2.6250
		3A	2.6250	2.6156	2.5844	2.5803	2.5528	2.5449	0.0113	0.0094	3B	2.5727	2.5642	2.5898	2.5844	2.6250

26

(Table 5 continues on next page)

UNIFIED INCH SCREW THREADS
(UNJ THREAD FORM)

TABLE 5 LIMITING DIMENSIONS AND TOLERANCES, UNJ THREAD FORM (CONT'D)

Nominal Size and Threads per in.	Series Designation	Class	External Threads								Class	Internal Threads				
			Major Diameter		Pitch Diameter		Minor Diameter		Root Radius			Minor Diameter		Pitch Diameter		Major Dia.
			Max.	Min.	Max.	Min.	Max.	Min.	Max.	Min.		Max.	Min.	Max.	Min.	Min.
1	2	3	4	5	6	7	8	9	10	11	12	13	14	15	16	17
2.7500-4	UNJC	2A	2.7468	2.7230	2.5844	2.5739	2.4581	2.4324	0.0451	0.0375	2B	2.5365	2.5065	2.6013	2.5876	2.7500
		3A	2.7500	2.7262	2.5876	2.5797	2.4613	2.4382	0.0451	0.0375	3B	2.5365	2.5065	2.5979	2.5876	2.7500
2.7500-8	UNJ	2A	2.7475	2.7325	2.6663	2.6580	2.6032	2.5873	0.0226	0.0188	2B	2.6433	2.6283	2.6796	2.6688	2.7500
		3A	2.7500	2.7350	2.6688	2.6625	2.6056	2.5918	0.0226	0.0188	3B	2.6433	2.6283	2.6769	2.6688	2.7500
2.7500-12	UNJ	2A	2.7481	2.7367	2.6940	2.6878	2.6519	2.6406	0.0150	0.0125	2B	2.6789	2.6689	2.7040	2.6959	2.7500
		3A	2.7500	2.7386	2.6959	2.6913	2.6538	2.6442	0.0150	0.0125	3B	2.6789	2.6689	2.7019	2.6959	2.7500
2.7500-16	UNJ	2A	2.7483	2.7389	2.7077	2.7022	2.6761	2.6668	0.0113	0.0094	2B	2.6977	2.6892	2.7166	2.7094	2.7500
		3A	2.7500	2.7406	2.7094	2.7053	2.6778	2.6699	0.0113	0.0094	3B	2.6977	2.6892	2.7148	2.7094	2.7500
2.8750-8	UNJ	2A	2.8725	2.8575	2.7913	2.7829	2.7282	2.7122	0.0226	0.0188	2B	2.7683	2.7533	2.8048	2.7938	2.8750
		3A	2.8750	2.8600	2.7938	2.7875	2.7306	2.7168	0.0226	0.0188	3B	2.7683	2.7533	2.8020	2.7938	2.8750
2.8750-12	UNJ	2A	2.8731	2.8617	2.8190	2.8127	2.7769	2.7655	0.0150	0.0125	2B	2.8039	2.7939	2.8291	2.8209	2.8750
		3A	2.8750	2.8636	2.8209	2.8162	2.7788	2.7690	0.0150	0.0125	3B	2.8039	2.7939	2.8271	2.8209	2.8750
2.8750-16	UNJ	2A	2.8733	2.8639	2.8327	2.8271	2.8011	2.7917	0.0113	0.0094	2B	2.8227	2.8142	2.8417	2.8344	2.8750
		3A	2.8750	2.8656	2.8344	2.8302	2.8028	2.7948	0.0113	0.0094	3B	2.8227	2.8142	2.8399	2.8344	2.8750
3.0000-4	UNJC	2A	2.9968	2.9730	2.8344	2.8237	2.7081	2.6822	0.0451	0.0375	2B	2.7865	2.7565	2.8515	2.8376	3.0000
		3A	3.0000	2.9762	2.8376	2.8296	2.7113	2.6882	0.0451	0.0375	3B	2.7865	2.7565	2.8480	2.8376	3.0000
3.0000-8	UNJ	2A	2.9974	2.9824	2.9162	2.9077	2.8531	2.8370	0.0226	0.0188	2B	2.8933	2.8783	2.9299	2.9188	3.0000
		3A	3.0000	2.9850	2.9188	2.9124	2.8556	2.8417	0.0226	0.0188	3B	2.8933	2.8783	2.9271	2.9188	3.0000
3.0000-12	UNJ	2A	2.9981	2.9867	2.9440	2.9377	2.9019	2.8905	0.0150	0.0125	2B	2.9289	2.9189	2.9541	2.9459	3.0000
		3A	3.0000	2.9886	2.9459	2.9412	2.9038	2.8940	0.0150	0.0125	3B	2.9289	2.9189	2.9521	2.9459	3.0000
3.0000-16	UNJ	2A	2.9983	2.9889	2.9577	2.9521	2.9261	2.9167	0.0113	0.0094	2B	2.9477	2.9392	2.9667	2.9594	3.0000
		3A	3.0000	2.9906	2.9594	2.9552	2.9278	2.9198	0.0113	0.0094	3B	2.9477	2.9392	2.9649	2.9594	3.0000
3.1250-8	UNJ	2A	3.1224	3.1074	3.0412	3.0326	2.9781	2.9619	0.0226	0.0188	2B	3.0183	3.0033	3.0550	3.0438	3.1250
		3A	3.1250	3.1100	3.0438	3.0374	2.9806	2.9667	0.0226	0.0188	3B	3.0183	3.0033	3.0522	3.0438	3.1250
3.1250-12	UNJ	2A	3.1231	3.1117	3.0690	3.0627	3.0269	3.0155	0.0150	0.0125	2B	3.0539	3.0439	3.0791	3.0709	3.1250
		3A	3.1250	3.1136	3.0709	3.0662	3.0288	3.0190	0.0150	0.0125	3B	3.0539	3.0439	3.0771	3.0709	3.1250
3.1250-16	UNJ	2A	3.1233	3.1139	3.0827	3.0771	3.0511	3.0417	0.0113	0.0094	2B	3.0727	3.0642	3.0917	3.0844	3.1250
		3A	3.1250	3.1156	3.0844	3.0802	3.0528	3.0448	0.0113	0.0094	3B	3.0727	3.0642	3.0899	3.0844	3.1250

(Table 5 continues on next page)

TABLE 5 LIMITING DIMENSIONS AND TOLERANCES, UNJ THREAD FORM (CONT'D)

Nominal Size and Threads per in.	Series Designation	External Threads												Internal Threads					
		Major Diameter		Pitch Diameter		Minor Diameter		Root Radius		Class		Minor Diameter		Pitch Diameter		Major Dia.			
		Max.	Min.	Max.	Min.	Max.	Min.	Max.	Min.	Class	Max.	Min.	Max.	Min.	Max.	Min.			
1	2	3	4	5	6	7	8	9	10	11	12	13	14	15	16	17			
3.2500-4	UNJC	2A	3.2467	3.2229	3.0843	3.0734	2.9580	2.9320	0.0451	0.0375	2B	3.0365	3.0065	3.1017	3.0876	3.2500			
		3A	3.2500	3.2262	3.0876	3.0794	2.9613	2.9379	0.0451	0.0375	3B	3.0365	3.0065	3.0982	3.0876	3.2500			
3.2500-8	UNJ	2A	3.2474	3.2324	3.1662	3.1575	3.1031	3.0868	0.0226	0.0188	2B	3.1433	3.1283	3.1801	3.1688	3.2500			
		3A	3.2500	3.2350	3.1688	3.1623	3.1056	3.0916	0.0226	0.0188	3B	3.1433	3.1283	3.1773	3.1688	3.2500			
3.2500-12	UNJ	2A	3.2481	3.2367	3.1940	3.1877	3.1519	3.1405	0.0150	0.0125	2B	3.1789	3.1689	3.2041	3.1959	3.2500			
		3A	3.2500	3.2386	3.1959	3.1912	3.1538	3.1440	0.0150	0.0125	3B	3.1789	3.1689	3.2021	3.1959	3.2500			
3.2500-16	UNJ	2A	3.2483	3.2389	3.2077	3.2021	3.1761	3.1667	0.0113	0.0094	2B	3.1977	3.1892	3.2167	3.2094	3.2500			
		3A	3.2500	3.2406	3.2094	3.2052	3.1778	3.1698	0.0113	0.0094	3B	3.1977	3.1892	3.2149	3.2094	3.2500			
3.3750-8	UNJ	2A	3.3724	3.3574	3.2912	3.2824	3.2281	3.2117	0.0226	0.0188	2B	3.2683	3.2533	3.3052	3.2938	3.3750			
		3A	3.3750	3.3600	3.2938	3.2872	3.2306	3.2165	0.0226	0.0188	3B	3.2683	3.2533	3.3023	3.2938	3.3750			
3.3750-12	UNJ	2A	3.3731	3.3617	3.3190	3.3126	3.2769	3.2654	0.0150	0.0125	2B	3.3039	3.2939	3.3293	3.3209	3.3750			
		3A	3.3750	3.3636	3.3209	3.3161	3.2788	3.2689	0.0150	0.0125	3B	3.3039	3.2939	3.3272	3.3209	3.3750			
3.3750-16	UNJ	2A	3.3733	3.3639	3.3327	3.3269	3.3011	3.2915	0.0113	0.0094	2B	3.3227	3.3142	3.3419	3.3344	3.3750			
		3A	3.3750	3.3656	3.3344	3.3301	3.3028	3.2947	0.0113	0.0094	3B	3.3227	3.3142	3.3400	3.3344	3.3750			
3.5000-4	UNJC	2A	3.4967	3.4729	3.3343	3.3233	3.2080	3.1818	0.0451	0.0375	2B	3.2865	3.2565	3.3519	3.3376	3.5000			
		3A	3.5000	3.4762	3.3376	3.3293	3.2113	3.1878	0.0451	0.0375	3B	3.2865	3.2565	3.3484	3.3376	3.5000			
3.5000-8	UNJ	2A	3.4974	3.4824	3.4162	3.4074	3.3530	3.3367	0.0226	0.0188	2B	3.3933	3.3783	3.4303	3.4188	3.5000			
		3A	3.5000	3.4850	3.4188	3.4122	3.3556	3.3415	0.0226	0.0188	3B	3.3933	3.3783	3.4274	3.4188	3.5000			
3.5000-12	UNJ	2A	3.4981	3.4867	3.4440	3.4376	3.4019	3.3904	0.0150	0.0125	2B	3.4289	3.4189	3.4543	3.4459	3.5000			
		3A	3.5000	3.4886	3.4459	3.4411	3.4038	3.3940	0.0150	0.0125	3B	3.4289	3.4189	3.4522	3.4459	3.5000			
3.5000-16	UNJ	2A	3.4983	3.4889	3.4577	3.4519	3.4261	3.4165	0.0113	0.0094	2B	3.4477	3.4392	3.4669	3.4594	3.5000			
		3A	3.5000	3.4906	3.4594	3.4551	3.4278	3.4197	0.0113	0.0094	3B	3.4477	3.4392	3.4650	3.4594	3.5000			
3.6250-8	UNJ	2A	3.6223	3.6073	3.5411	3.5322	3.4780	3.4615	0.0226	0.0188	2B	3.5183	3.5033	3.5554	3.5438	3.6250			
		3A	3.6250	3.6100	3.5438	3.5371	3.4806	3.4664	0.0226	0.0188	3B	3.5183	3.5033	3.5525	3.5438	3.6250			
3.6250-12	UNJ	2A	3.6231	3.6117	3.5690	3.5626	3.5269	3.5154	0.0150	0.0125	2B	3.5539	3.5439	3.5793	3.5709	3.6250			
		3A	3.6250	3.6136	3.5709	3.5661	3.5288	3.5190	0.0150	0.0125	3B	3.5539	3.5439	3.5772	3.5709	3.6250			
3.6250-16	UNJ	2A	3.6233	3.6139	3.5827	3.5769	3.5511	3.5415	0.0113	0.0094	2B	3.5727	3.5642	3.5919	3.5844	3.6250			
		3A	3.6250	3.6156	3.5844	3.5801	3.5528	3.5447	0.0113	0.0094	3B	3.5727	3.5642	3.5900	3.5844	3.6250			
3.7500-4	UNJC	2A	3.7466	3.7228	3.5842	3.5730	3.4579	3.4316	0.0451	0.0375	2B	3.5365	3.5065	3.6021	3.5876	3.7500			
		3A	3.7500	3.7262	3.5876	3.5792	3.4613	3.4378	0.0451	0.0375	3B	3.5365	3.5065	3.5985	3.5876	3.7500			

(Table 5 continues on next page)

TABLE 5 LIMITING DIMENSIONS AND TOLERANCES, UNJ THREAD FORM (CONT'D)

Nominal Size and Threads per in.	Series Designation	Class	External Threads								Class	Internal Threads				
			Major Diameter		Pitch Diameter		Minor Diameter		Root Radius			Minor Diameter		Pitch Diameter		Major Dia.
			Max.	Min.	Max.	Min.	Max.	Min.	Max.	Min.		Max.	Min.	Max.	Min.	Min.
1	2	3	4	5	6	7	8	9	10	11	12	13	14	15	16	17
3.7500-8	UNJ	2A	3.7473	3.7323	3.6661	3.6571	3.6030	3.5864	0.0226	0.0188	2B	3.6433	3.6283	3.6805	3.6688	3.7500
		3A	3.7500	3.7350	3.6688	3.6621	3.6056	3.5914	0.0226	0.0188	3B	3.6433	3.6283	3.6776	3.6688	3.7500
3.7500-12	UNJ	2A	3.7481	3.7367	3.6940	3.6876	3.6519	3.6404	0.0150	0.0125	2B	3.6789	3.6689	3.7043	3.6959	3.7500
		3A	3.7500	3.7386	3.6959	3.6911	3.6538	3.6440	0.0150	0.0125	3B	3.6789	3.6689	3.7022	3.6959	3.7500
3.7500-16	UNJ	2A	3.7483	3.7389	3.7077	3.7019	3.6761	3.6665	0.0113	0.0094	2B	3.6977	3.6892	3.7169	3.7094	3.7500
		3A	3.7500	3.7406	3.7094	3.7051	3.6778	3.6697	0.0113	0.0094	3B	3.6977	3.6892	3.7150	3.7094	3.7500
3.8750-8	UNJ	2A	3.8723	3.8573	3.7911	3.7820	3.7280	3.7113	0.0226	0.0188	2B	3.7683	3.7533	3.8056	3.7938	3.8750
		3A	3.8750	3.8600	3.7938	3.7870	3.7306	3.7163	0.0226	0.0188	3B	3.7683	3.7533	3.8026	3.7938	3.8750
3.8750-12	UNJ	2A	3.8730	3.8616	3.8189	3.8124	3.7768	3.7652	0.0150	0.0125	2B	3.8039	3.7939	3.8294	3.8209	3.8750
		3A	3.8750	3.8636	3.8209	3.8160	3.7788	3.7688	0.0150	0.0125	3B	3.8039	3.7939	3.8273	3.8209	3.8750
3.8750-16	UNJ	2A	3.8732	3.8638	3.8326	3.8267	3.8010	3.7913	0.0113	0.0094	2B	3.8227	3.8142	3.8420	3.8344	3.8750
		3A	3.8750	3.8656	3.8344	3.8300	3.8028	3.7946	0.0113	0.0094	3B	3.8227	3.8142	3.8401	3.8344	3.8750
4.0000-4	UNJC	2A	3.9966	3.9728	3.8342	3.8229	3.7079	3.6815	0.0451	0.0375	2B	3.7865	3.7565	3.8523	3.8376	4.0000
		3A	4.0000	3.9762	3.8376	3.8291	3.7113	3.6876	0.0451	0.0375	3B	3.7865	3.7565	3.8487	3.8376	4.0000
4.0000-8	UNJ	2A	3.9973	3.9823	3.9161	3.9070	3.8530	3.8363	0.0226	0.0188	2B	3.8933	3.8783	3.9307	3.9188	4.0000
		3A	4.0000	3.9850	3.9188	3.9120	3.8556	3.8413	0.0226	0.0188	3B	3.8933	3.8783	3.9277	3.9188	4.0000
4.0000-12	UNJ	2A	3.9980	3.9866	3.9439	3.9374	3.9018	3.8902	0.0150	0.0125	2B	3.9289	3.9189	3.9544	3.9459	4.0000
		3A	4.0000	3.9886	3.9459	3.9410	3.9038	3.8938	0.0150	0.0125	3B	3.9289	3.9189	3.9523	3.9459	4.0000
4.0000-16	UNJ	2A	3.9982	3.9888	3.9576	3.9517	3.9260	3.9183	0.0113	0.0094	2B	3.9477	3.9392	3.9670	3.9594	4.0000
		3A	4.0000	3.9906	3.9594	3.9550	3.9278	3.9196	0.0113	0.0094	3B	3.9477	3.9392	3.9651	3.9594	4.0000
4.1250-12	UNJ	2A	4.1230	4.1116	4.0689	4.0624	4.0268	4.0152	0.0150	0.0125	2B	4.0538	4.0438	4.0794	4.0709	4.1250
		3A	4.1250	4.1136	4.0709	4.0660	4.0288	4.0188	0.0150	0.0125	3B	4.0538	4.0438	4.0773	4.0709	4.1250
4.1250-16	UNJ	2A	4.1232	4.1138	4.0826	4.0767	4.0510	4.0413	0.0113	0.0094	2B	4.0726	4.0641	4.0920	4.0844	4.1250
		3A	4.1250	4.1156	4.0844	4.0800	4.0528	4.0446	0.0113	0.0094	3B	4.0726	4.0641	4.0901	4.0844	4.1250
4.2500-12	UNJ	2A	4.2480	4.2366	4.1939	4.1874	4.1518	4.1402	0.0150	0.0125	2B	4.1788	4.1688	4.2044	4.1959	4.2500
		3A	4.2500	4.2386	4.1959	4.1910	4.1538	4.1438	0.0150	0.0125	3B	4.1788	4.1688	4.2023	4.1959	4.2500
4.2500-16	UNJ	2A	4.2482	4.2388	4.2076	4.2017	4.1760	4.1663	0.0113	0.0094	2B	4.1976	4.1891	4.2170	4.2094	4.2500
		3A	4.2500	4.2406	4.2094	4.2050	4.1778	4.1696	0.0113	0.0094	3B	4.1976	4.1891	4.2151	4.2094	4.2500
4.3750-12	UNJ	2A	4.3730	4.3616	4.3189	4.3124	4.2768	4.2652	0.0150	0.0125	2B	4.3038	4.2938	4.3294	4.3209	4.3750
		3A	4.3750	4.3636	4.3209	4.3160	4.2788	4.2688	0.0150	0.0125	3B	4.3038	4.2938	4.3273	4.3209	4.3750

(Table 5 continues on next page)

TABLE 5 LIMITING DIMENSIONS AND TOLERANCES, UNJ THREAD FORM (CONT'D)

Nominal Size and Threads per in.	Series Designation	Class	External Threads								Class	Internal Threads				
			Major Diameter		Pitch Diameter		Minor Diameter		Root Radius			Minor Diameter		Pitch Diameter		Major Dia.
			Max.	Min.	Max.	Min.	Max.	Min.	Max.	Min.		Max.	Min.	Max.	Min.	Min.
1	2	3	4	5	6	7	8	9	10	11	12	13	14	15	16	17
4.3750-16	UNJ	2A	4.3732	4.3638	4.3326	4.3267	4.3010	4.2913	0.0113	0.0094	2B	4.3226	4.3141	4.3420	4.3344	4.3750
		3A	4.3750	4.3656	4.3344	4.3300	4.3028	4.2946	0.0113	0.0094	3B	4.3226	4.3141	4.3401	4.3344	4.3750
4.5000-12	UNJ	2A	4.4980	4.4866	4.4439	4.4374	4.4018	4.3902	0.0150	0.0125	2B	4.4288	4.4188	4.4544	4.4459	4.5000
		3A	4.5000	4.4886	4.4459	4.4410	4.4038	4.3938	0.0150	0.0125	3B	4.4288	4.4188	4.4523	4.4459	4.5000
4.5000-16	UNJ	2A	4.4982	4.4888	4.4576	4.4517	4.4260	4.4163	0.0113	0.0094	2B	4.4476	4.4391	4.4670	4.4594	4.5000
		3A	4.5000	4.4906	4.4594	4.4550	4.4278	4.4196	0.0113	0.0094	3B	4.4476	4.4391	4.4651	4.4594	4.5000
4.6250-12	UNJ	2A	4.6230	4.6116	4.5689	4.5622	4.5268	4.5150	0.0150	0.0125	2B	4.5538	4.5438	4.5796	4.5709	4.6250
		3A	4.6250	4.6136	4.5709	4.5659	4.5288	4.5187	0.0150	0.0125	3B	4.5538	4.5438	4.5775	4.5709	4.6250
4.6250-16	UNJ	2A	4.6232	4.6138	4.5826	4.5765	4.5510	4.5411	0.0113	0.0094	2B	4.5726	4.5641	4.5923	4.5844	4.6250
		3A	4.6250	4.6156	4.5844	4.5799	4.5528	4.5445	0.0113	0.0094	3B	4.5726	4.5641	4.5903	4.5844	4.6250
4.7500-12	UNJ	2A	4.7480	4.7366	4.6939	4.6872	4.6518	4.6400	0.0150	0.0125	2B	4.6788	4.6688	4.7046	4.6959	4.7500
		3A	4.7500	4.7386	4.6959	4.6909	4.6538	4.6437	0.0150	0.0125	3B	4.6788	4.6688	4.7025	4.6959	4.7500
4.7500-16	UNJ	2A	4.7482	4.7388	4.7076	4.7015	4.6760	4.6661	0.0113	0.0094	2B	4.6976	4.6891	4.7173	4.7094	4.7500
		3A	4.7500	4.7406	4.7094	4.7049	4.6778	4.6695	0.0113	0.0094	3B	4.6976	4.6891	4.7153	4.7094	4.7500
4.8750-12	UNJ	2A	4.8730	4.8616	4.8189	4.8122	4.7768	4.7650	0.0150	0.0125	2B	4.8038	4.7938	4.8296	4.8209	4.8750
		3A	4.8750	4.8636	4.8209	4.8159	4.7788	4.7687	0.0150	0.0125	3B	4.8038	4.7938	4.8275	4.8209	4.8750
4.8750-16	UNJ	2A	4.8732	4.8638	4.8326	4.8265	4.8010	4.7911	0.0113	0.0094	2B	4.8226	4.8141	4.8423	4.8344	4.8750
		3A	4.8750	4.8656	4.8344	4.8299	4.8028	4.7945	0.0113	0.0094	3B	4.8226	4.8141	4.8403	4.8344	4.8750
5.0000-12	UNJ	2A	4.9980	4.9866	4.9439	4.9372	4.9018	4.8900	0.0150	0.0125	2B	4.9288	4.9188	4.9546	4.9459	5.0000
		3A	5.0000	4.9886	4.9459	4.9409	4.9038	4.8937	0.0150	0.0125	3B	4.9288	4.9188	4.9525	4.9459	5.0000
5.0000-16	UNJ	2A	4.9982	4.9888	4.9576	4.9515	4.9260	4.9161	0.0113	0.0094	2B	4.9476	4.9391	4.9673	4.9594	5.0000
		3A	5.0000	4.9906	4.9594	4.9549	4.9278	4.9195	0.0113	0.0094	3B	4.9476	4.9391	4.9653	4.9594	5.0000
5.1250-12	UNJ	2A	5.1230	5.1116	5.0689	5.0622	5.0268	5.0150	0.0150	0.0125	2B	5.0538	5.0438	5.0796	5.0709	5.1250
		3A	5.1250	5.1136	5.0709	5.0659	5.0288	5.0187	0.0150	0.0125	3B	5.0538	5.0438	5.0775	5.0709	5.1250
5.1250-16	UNJ	2A	5.1232	5.1138	5.0826	5.0765	5.0510	5.0411	0.0113	0.0094	2B	5.0726	5.0641	5.0923	5.0844	5.1250
		3A	5.1250	5.1156	5.0844	5.0799	5.0528	5.0445	0.0113	0.0094	3B	5.0726	5.0641	5.0903	5.0844	5.1250
5.2500-12	UNJ	2A	5.2480	5.2366	5.1939	5.1872	5.1518	5.1400	0.0150	0.0125	2B	5.1788	5.1688	5.2046	5.1959	5.2500
		3A	5.2500	5.2386	5.1959	5.1909	5.1538	5.1437	0.0150	0.0125	3B	5.1788	5.1688	5.2025	5.1959	5.2500
5.2500-16	UNJ	2A	5.2482	5.2388	5.2076	5.2015	5.1760	5.1661	0.0113	0.0094	2B	5.1976	5.1891	5.2173	5.2094	5.2500
		3A	5.2500	5.2406	5.2094	5.2049	5.1778	5.1695	0.0113	0.0094	3B	5.1976	5.1891	5.2153	5.2094	5.2500

(Table 5 continues on next page)

TABLE 5 LIMITING DIMENSIONS AND TOLERANCES, UNJ THREAD FORM (CONT'D)

Nominal Size and Threads per in.	Series Designation	Class	External Threads								Class	Internal Threads				
			Major Diameter		Pitch Diameter		Minor Diameter		Root Radius			Minor Diameter		Pitch Diameter		Major Dia.
			Max.	Min.	Max.	Min.	Max.	Min.	Max.	Min.		Max.	Min.	Max.	Min.	Min.
1	2	3	4	5	6	7	8	9	10	11	12	13	14	15	16	17
5.3750-12	UNJ	2A	5.3730	5.3616	5.3189	5.3122	5.2768	5.2650	0.0150	0.0125	2B	5.3038	5.2938	5.3296	5.3209	5.3750
		3A	5.3750	5.3636	5.3209	5.3159	5.2788	5.2687	0.0150	0.0125	3B	5.3038	5.2938	5.3275	5.3209	5.3750
5.3750-16	UNJ	2A	5.3732	5.3638	5.3326	5.3265	5.3010	5.2911	0.0113	0.0094	2B	5.3226	5.3141	5.3423	5.3344	5.3750
		3A	5.3750	5.3656	5.3344	5.3299	5.3028	5.2945	0.0113	0.0094	3B	5.3226	5.3141	5.3403	5.3344	5.3750
5.5000-12	UNJ	2A	5.4980	5.4866	5.4439	5.4372	5.4018	5.3900	0.0150	0.0125	2B	5.4288	5.4188	5.4546	5.4459	5.5000
		3A	5.5000	5.4886	5.4459	5.4409	5.4038	5.3937	0.0150	0.0125	3B	5.4288	5.4188	5.4525	5.4459	5.5000
5.5000-16	UNJ	2A	5.4982	5.4888	5.4576	5.4515	5.4260	5.4161	0.0113	0.0094	2B	5.4476	5.4391	5.4673	5.4594	5.5000
		3A	5.5000	5.4906	5.4594	5.4549	5.4278	5.4195	0.0113	0.0094	3B	5.4476	5.4391	5.4653	5.4594	5.5000
5.6250-12	UNJ	2A	5.6229	5.6115	5.5688	5.5619	5.5267	5.5148	0.0150	0.0125	2B	5.5538	5.5438	5.5799	5.5709	5.6250
		3A	5.6250	5.6136	5.5709	5.5657	5.5288	5.5185	0.0150	0.0125	3B	5.5538	5.5438	5.5776	5.5709	5.6250
5.6250-16	UNJ	2A	5.6231	5.6137	5.5825	5.5763	5.5509	5.5409	0.0113	0.0094	2B	5.5726	5.5641	5.5925	5.5844	5.6250
		3A	5.6250	5.6156	5.5844	5.5797	5.5528	5.5443	0.0113	0.0094	3B	5.5726	5.5641	5.5905	5.5844	5.6250
5.7500-12	UNJ	2A	5.7479	5.7365	5.6938	5.6869	5.6517	5.6398	0.0150	0.0125	2B	5.6788	5.6688	5.7049	5.6959	5.7500
		3A	5.7500	5.7386	5.6959	5.6907	5.6538	5.6435	0.0150	0.0125	3B	5.6788	5.6688	5.7026	5.6959	5.7500
5.7500-16	UNJ	2A	5.7481	5.7387	5.7075	5.7013	5.6759	5.6659	0.0113	0.0094	2B	5.6976	5.6891	5.7175	5.7094	5.7500
		3A	5.7500	5.7406	5.7094	5.7047	5.6778	5.6693	0.0113	0.0094	3B	5.6976	5.6891	5.7155	5.7094	5.7500
5.8750-12	UNJ	2A	5.8729	5.8615	5.8188	5.8119	5.7767	5.7648	0.0150	0.0125	2B	5.8038	5.7938	5.8299	5.8209	5.8750
		3A	5.8750	5.8636	5.8209	5.8157	5.7788	5.7685	0.0150	0.0125	3B	5.8038	5.7938	5.8276	5.8209	5.8750
5.8750-16	UNJ	2A	5.8731	5.8637	5.8325	5.8263	5.8009	5.7909	0.0113	0.0094	2B	5.8226	5.8141	5.8425	5.8344	5.8750
		3A	5.8750	5.8656	5.8344	5.8297	5.8028	5.7943	0.0113	0.0094	3B	5.8226	5.8141	5.8405	5.8344	5.8750
6.0000-12	UNJ	2A	5.9979	5.9865	5.9438	5.9369	5.9017	5.8898	0.0150	0.0125	2B	5.9288	5.9188	5.9549	5.9459	6.0000
		3A	6.0000	5.9886	5.9459	5.9407	5.9038	5.8935	0.0150	0.0125	3B	5.9288	5.9188	5.9526	5.9459	6.0000
6.0000-16	UNJ	2A	5.9981	5.9887	5.9575	5.9513	5.9259	5.9159	0.0113	0.0094	2B	5.9476	5.9391	5.9675	5.9594	6.0000
		3A	6.0000	5.9906	5.9594	5.9547	5.9278	5.9193	0.0113	0.0094	3B	5.9476	5.9391	5.9655	5.9594	6.0000

ASME NORM INC. ONLINE FULL PDF OF ASME B1.15-1995

**TABLE 6 ALLOWABLE VARIATIONS IN LEAD AND EQUIVALENT CHANGE
IN FUNCTIONAL DIAMETER, UNJ THREAD FORM**

Nominal Size and Threads per in.	Series Designation	External			Internal		
		Class	Allowable Variation in Lead, in. ±	Equivalent Change in Functional Diameter, in. +	Class	Allowable Variation in Lead, in. ±	Equivalent Change in Functional Diameter, in. -
1	2	3	4	5	6	7	8
0.0600-80	UNJF	2A	0.0005	0.00090	2B	0.0007	0.00115
		3A	0.0004	0.00065	3B	0.0005	0.00085
0.0730-64	UNJC	2A	0.0006	0.00100	2B	0.0008	0.00130
		3A	0.0004	0.00075	3B	0.0005	0.00095
0.0730-72	UNJF	2A	0.0005	0.00095	2B	0.0007	0.00125
		3A	0.0004	0.00070	3B	0.0005	0.00095
0.0860-56	UNJC	2A	0.0006	0.00105	2B	0.0008	0.00140
		3A	0.0005	0.00080	3B	0.0006	0.00105
0.0860-64	UNJF	2A	0.0006	0.00100	2B	0.0008	0.00135
		3A	0.0004	0.00075	3B	0.0006	0.00100
0.0990-48	UNJC	2A	0.0007	0.00115	2B	0.0009	0.00150
		3A	0.0005	0.00085	3B	0.0006	0.00110
0.0990-56	UNJF	2A	0.0006	0.00110	2B	0.0008	0.00140
		3A	0.0005	0.00080	3B	0.0006	0.00105
0.1120-40	UNJC	2A	0.0007	0.00125	2B	0.0010	0.00165
		3A	0.0005	0.00095	3B	0.0007	0.00120
0.1120-48	UNJF	2A	0.0007	0.00120	2B	0.0009	0.00155
		3A	0.0005	0.00090	3B	0.0007	0.00115
0.1250-40	UNJC	2A	0.0008	0.00130	2B	0.0010	0.00165
		3A	0.0005	0.00095	3B	0.0007	0.00125
0.1250-44	UNJF	2A	0.0007	0.00125	2B	0.0009	0.00160
		3A	0.0005	0.00095	3B	0.0007	0.00120
0.1380-32	UNJC	2A	0.0008	0.00140	2B	0.0011	0.00185
		3A	0.0006	0.00105	3B	0.0008	0.00135
0.1380-40	UNJF	2A	0.0008	0.00130	2B	0.0010	0.00170
		3A	0.0006	0.00100	3B	0.0007	0.00125
0.1640-32	UNJC	2A	0.0008	0.00145	2B	0.0011	0.00190
		3A	0.0006	0.00110	3B	0.0008	0.00140
0.1640-36	UNJF	2A	0.0008	0.00140	2B	0.0010	0.00180
		3A	0.0006	0.00105	3B	0.0008	0.00135
0.1900-24	UNJC	2A	0.0010	0.00165	2B	0.0012	0.00215
		3A	0.0007	0.00125	3B	0.0009	0.00160
0.1900-32	UNJF	2A	0.0009	0.00150	2B	0.0011	0.00195
		3A	0.0007	0.00115	3B	0.0008	0.00145
0.2160-24	UNJC	2A	0.0010	0.00170	2B	0.0013	0.00220
		3A	0.0008	0.00130	3B	0.0010	0.00165
0.2160-28	UNJF	2A	0.0009	0.00160	2B	0.0012	0.00210
		3A	0.0007	0.00120	3B	0.0009	0.00155
0.2160-32	UNJEF	2A	0.0009	0.00155	2B	0.0012	0.00205
		3A	0.0007	0.00120	3B	0.0009	0.00155
0.2500-20	UNJC	2A	0.0011	0.00185	2B	0.0014	0.00245
		3A	0.0008	0.00140	3B	0.0010	0.00180

(Table 6 continues on next page)

**TABLE 6 ALLOWABLE VARIATIONS IN LEAD AND EQUIVALENT CHANGE
IN FUNCTIONAL DIAMETER, UNJ THREAD FORM (CONT'D)**

Nominal Size and Threads per in.	Series Designation	External			Internal		
		Class	Allowable Variation in Lead, in. \bullet	Equivalent Change in Functional Diameter, in. $+$	Class	Allowable Variation in Lead, in. \pm	Equivalent Change in Functional Diameter, in. $-$
1	2	3	4	5	6	7	8
0.2500-28	UNJF	2A	0.0010	0.00165	2B	0.0012	0.00215
		3A	0.0007	0.00125	3B	0.0009	0.00160
0.2500-32	UNJEF	2A	0.0009	0.00160	2B	0.0012	0.00210
		3A	0.0007	0.00120	3B	0.0009	0.00155
0.3125-18	UNJC	2A	0.0012	0.00200	2B	0.0015	0.00265
		3A	0.0009	0.00150	3B	0.0011	0.00195
0.3125-24	UNJF	2A	0.0011	0.00185	2B	0.0014	0.00240
		3A	0.0008	0.00135	3B	0.0010	0.00180
0.3125-32	UNJEF	2A	0.0009	0.00160	2B	0.0012	0.00210
		3A	0.0007	0.00120	3B	0.0009	0.00155
0.3750-16	UNJC	2A	0.0013	0.00220	2B	0.0016	0.00285
		3A	0.0010	0.00165	3B	0.0012	0.00215
0.3750-24	UNJF	2A	0.0011	0.00190	2B	0.0014	0.00245
		3A	0.0008	0.00145	3B	0.0011	0.00185
0.3750-32	UNJEF	2A	0.0010	0.00170	2B	0.0013	0.00220
		3A	0.0007	0.00125	3B	0.0010	0.00165
0.4375-14	UNJC	2A	0.0014	0.00235	2B	0.0018	0.00305
		3A	0.0010	0.00175	3B	0.0013	0.00230
0.4375-16	UNJ	2A	0.0013	0.00230	2B	0.0017	0.00295
		3A	0.0010	0.00170	3B	0.0013	0.00225
0.4375-20	UNJF	2A	0.0012	0.00210	2B	0.0016	0.00270
		3A	0.0009	0.00155	3B	0.0012	0.00205
0.4375-28	UNJEF	2A	0.0010	0.00180	2B	0.0013	0.00230
		3A	0.0008	0.00135	3B	0.0010	0.00175
0.5000-13	UNJC	2A	0.0014	0.00250	2B	0.0019	0.00325
		3A	0.0011	0.00185	3B	0.0014	0.00240
0.5000-16	UNJ	2A	0.0014	0.00235	2B	0.0018	0.00305
		3A	0.0010	0.00175	3B	0.0013	0.00230
0.5000-20	UNJF	2A	0.0012	0.00215	2B	0.0016	0.00280
		3A	0.0009	0.00160	3B	0.0012	0.00210
0.5000-28	UNJEF	2A	0.0011	0.00185	2B	0.0014	0.00240
		3A	0.0008	0.00140	3B	0.0010	0.00180
0.5625-12	UNJC	2A	0.0015	0.00260	2B	0.0020	0.00340
		3A	0.0011	0.00195	3B	0.0015	0.00255
0.5625-16	UNJ	2A	0.0014	0.00235	2B	0.0018	0.00305
		3A	0.0010	0.00175	3B	0.0013	0.00230
0.5625-18	UNJF	2A	0.0013	0.00225	2B	0.0017	0.00295
		3A	0.0010	0.00170	3B	0.0013	0.00220
0.5625-24	UNJEF	2A	0.0011	0.00195	2B	0.0015	0.00255
		3A	0.0008	0.00145	3B	0.0011	0.00190
0.6250-11	UNJC	2A	0.0016	0.00275	2B	0.0021	0.00360
		3A	0.0012	0.00205	3B	0.0016	0.00270

(Table 6 continues on next page)

**TABLE 6 ALLOWABLE VARIATIONS IN LEAD AND EQUIVALENT CHANGE
IN FUNCTIONAL DIAMETER, UNJ THREAD FORM (CONT'D)**

Nominal Size and Threads per in.	Series Designation	External			Internal		
		Class	Allowable Variation in Lead, in. ±	Equivalent Change in Functional Diameter, in. +	Class	Allowable Variation in Lead, in. ±	Equivalent Change in Functional Diameter, in. -
1	2	3	4	5	6	7	8
0.6250-12	UNJ	2A	0.0016	0.00270	2B	0.0020	0.00355
		3A	0.0012	0.00205	3B	0.0015	0.00265
0.6250-16	UNJ	2A	0.0014	0.00240	2B	0.0018	0.00310
		3A	0.0010	0.00180	3B	0.0013	0.00230
0.6250-18	UNJF	2A	0.0014	0.00235	2B	0.0017	0.00300
		3A	0.0010	0.00175	3B	0.0013	0.00225
0.6250-24	UNJEF	2A	0.0012	0.00200	2B	0.0015	0.00260
		3A	0.0009	0.00150	3B	0.0011	0.00195
0.6875-12	UNJ	2A	0.0016	0.00270	2B	0.0020	0.00355
		3A	0.0012	0.00205	3B	0.0015	0.00265
0.6875-16	UNJ	2A	0.0014	0.00240	2B	0.0018	0.00310
		3A	0.0010	0.00180	3B	0.0013	0.00230
0.6875-24	UNJEF	2A	0.0012	0.00200	2B	0.0015	0.00260
		3A	0.0009	0.00150	3B	0.0011	0.00195
0.7500-10	UNJC	2A	0.0017	0.00295	2B	0.0022	0.00385
		3A	0.0013	0.00220	3B	0.0016	0.00285
0.7500-12	UNJ	2A	0.0016	0.00275	2B	0.0021	0.00360
		3A	0.0012	0.00205	3B	0.0016	0.00270
0.7500-16	UNJF	2A	0.0014	0.00250	2B	0.0019	0.00325
		3A	0.0011	0.00190	3B	0.0014	0.00245
0.7500-20	UNJEF	2A	0.0013	0.00220	2B	0.0016	0.00285
		3A	0.0010	0.00165	3B	0.0012	0.00215
0.8125-12	UNJ	2A	0.0016	0.00275	2B	0.0021	0.00360
		3A	0.0012	0.00205	3B	0.0016	0.00270
0.8125-16	UNJ	2A	0.0014	0.00245	2B	0.0018	0.00315
		3A	0.0010	0.00180	3B	0.0014	0.00235
0.8125-20	UNJEF	2A	0.0013	0.00220	2B	0.0016	0.00285
		3A	0.0010	0.00165	3B	0.0012	0.00215
0.8750-9	UNJC	2A	0.0018	0.00315	2B	0.0024	0.00410
		3A	0.0014	0.00235	3B	0.0018	0.00305
0.8750-12	UNJ	2A	0.0016	0.00275	2B	0.0021	0.00360
		3A	0.0012	0.00205	3B	0.0016	0.00270
0.8750-14	UNJF	2A	0.0016	0.00270	2B	0.0020	0.00350
		3A	0.0012	0.00205	3B	0.0015	0.00265
0.8750-16	UNJ	2A	0.0014	0.00245	2B	0.0018	0.00315
		3A	0.0010	0.00180	3B	0.0014	0.00235
0.8750-20	UNJEF	2A	0.0013	0.00220	2B	0.0016	0.00285
		3A	0.0010	0.00165	3B	0.0012	0.00215
0.9375-12	UNJ	2A	0.0016	0.00285	2B	0.0021	0.00370
		3A	0.0012	0.00210	3B	0.0016	0.00275
0.9375-16	UNJ	2A	0.0014	0.00250	2B	0.0019	0.00325
		3A	0.0011	0.00185	3B	0.0014	0.00245

(Table 6 continues on next page)

**TABLE 6 ALLOWABLE VARIATIONS IN LEAD AND EQUIVALENT CHANGE
IN FUNCTIONAL DIAMETER, UNJ THREAD FORM (CONT'D)**

Nominal Size and Threads per in.	Series Designation	External			Internal		
		Class	Allowable Variation in Lead, in. \pm	Equivalent Change in Functional Diameter, in. +	Class	Allowable Variation in Lead, in. \pm	Equivalent Change in Functional Diameter, in. -
1	2	3	4	5	6	7	8
0.9375-20	UNJEF	2A	0.0013	0.00225	2B	0.0017	0.00295
		3A	0.0010	0.00170	3B	0.0013	0.00220
1.0000-8	UNJC	2A	0.0020	0.00340	2B	0.0025	0.00440
		3A	0.0015	0.00255	3B	0.0019	0.00330
1.0000-12	UNJF	2A	0.0017	0.00295	2B	0.0022	0.00380
		3A	0.0013	0.00220	3B	0.0016	0.00285
1.0000-16	UNJ	2A	0.0014	0.00250	2B	0.0019	0.00325
		3A	0.0011	0.00185	3B	0.0014	0.00245
1.0000-20	UNJEF	2A	0.0013	0.00225	2B	0.0017	0.00295
		3A	0.0010	0.00170	3B	0.0013	0.00220
1.0625-8	UNJ	2A	0.0020	0.00340	2B	0.0026	0.00445
		3A	0.0015	0.00255	3B	0.0019	0.00335
1.0625-12	UNJ	2A	0.0016	0.00285	2B	0.0021	0.00370
		3A	0.0012	0.00210	3B	0.0016	0.00275
1.0625-16	UNJ	2A	0.0014	0.00250	2B	0.0019	0.00325
		3A	0.0011	0.00185	3B	0.0014	0.00245
1.0625-18	UNJEF	2A	0.0014	0.00235	2B	0.0018	0.00310
		3A	0.0010	0.00180	3B	0.0013	0.00230
1.1250-7	UNJC	2A	0.0021	0.00360	2B	0.0027	0.00470
		3A	0.0016	0.00270	3B	0.0020	0.00355
1.1250-8	UNJ	2A	0.0020	0.00345	2B	0.0026	0.00450
		3A	0.0015	0.00260	3B	0.0019	0.00335
1.1250-12	UNJF	2A	0.0017	0.00300	2B	0.0023	0.00390
		3A	0.0013	0.00225	3B	0.0017	0.00295
1.1250-16	UNJ	2A	0.0014	0.00250	2B	0.0019	0.00325
		3A	0.0011	0.00185	3B	0.0014	0.00245
1.1250-18	UNJEF	2A	0.0014	0.00235	2B	0.0018	0.00310
		3A	0.0010	0.00180	3B	0.0013	0.00230
1.1875-8	UNJ	2A	0.0020	0.00350	2B	0.0026	0.00455
		3A	0.0015	0.00260	3B	0.0020	0.00340
1.1875-12	UNJ	2A	0.0017	0.00290	2B	0.0022	0.00375
		3A	0.0012	0.00215	3B	0.0016	0.00280
1.1875-16	UNJ	2A	0.0015	0.00255	2B	0.0019	0.00330
		3A	0.0011	0.00190	3B	0.0014	0.00250
1.1875-18	UNJEF	2A	0.0014	0.00245	2B	0.0018	0.00315
		3A	0.0010	0.00180	3B	0.0014	0.00235
1.2500-7	UNJC	2A	0.0021	0.00370	2B	0.0028	0.00480
		3A	0.0016	0.00275	3B	0.0021	0.00360
1.2500-8	UNJ	2A	0.0020	0.00350	2B	0.0027	0.00460
		3A	0.0015	0.00265	3B	0.0020	0.00345
1.2500-12	UNJF	2A	0.0018	0.00310	2B	0.0023	0.00400
		3A	0.0013	0.00230	3B	0.0017	0.00300

(Table 6 continues on next page)

TABLE 6 ALLOWABLE VARIATIONS IN LEAD AND EQUIVALENT CHANGE IN FUNCTIONAL DIAMETER, UNJ THREAD FORM (CONT'D)

Nominal Size and Threads per in.	Series Designation	External			Internal		
		Class	Allowable Variation in Lead, in. ±	Equivalent Change in Functional Diameter, in. +	Class	Allowable Variation in Lead, in. ±	Equivalent Change in Functional Diameter, in. -
1	2	3	4	5	6	7	8
1.2500-16	UNJ	2A	0.0015	0.00255	2B	0.0019	0.00330
		3A	0.0011	0.00190	3B	0.0014	0.00250
1.2500-18	UNJEF	2A	0.0014	0.00245	2B	0.0018	0.00315
		3A	0.0010	0.00180	3B	0.0014	0.00235
1.3125-8	UNJ	2A	0.0020	0.00355	2B	0.0027	0.00460
		3A	0.0015	0.00265	3B	0.0020	0.00345
1.3125-12	UNJ	2A	0.0017	0.00290	2B	0.0022	0.00375
		3A	0.0012	0.00215	3B	0.0016	0.00280
1.3125-16	UNJ	2A	0.0015	0.00255	2B	0.0019	0.00330
		3A	0.0011	0.00190	3B	0.0014	0.00250
1.3125-18	UNJEF	2A	0.0014	0.00245	2B	0.0018	0.00315
		3A	0.0010	0.00180	3B	0.0014	0.00235
1.3750-6	UNJC	2A	0.0023	0.00400	2B	0.0030	0.00520
		3A	0.0017	0.00300	3B	0.0023	0.00390
1.3750-8	UNJ	2A	0.0021	0.00360	2B	0.0027	0.00465
		3A	0.0016	0.00270	3B	0.0020	0.00350
1.3750-12	UNJF	2A	0.0018	0.00315	2B	0.0024	0.00410
		3A	0.0014	0.00235	3B	0.0018	0.00305
1.3750-16	UNJ	2A	0.0015	0.00255	2B	0.0019	0.00330
		3A	0.0011	0.00190	3B	0.0014	0.00250
1.3750-18	UNJEF	2A	0.0014	0.00245	2B	0.0018	0.00315
		3A	0.0010	0.00180	3B	0.0014	0.00235
1.4375-8	UNJ	2A	0.0021	0.00360	2B	0.0027	0.00470
		3A	0.0016	0.00270	3B	0.0020	0.00355
1.4375-12	UNJ	2A	0.0017	0.00295	2B	0.0022	0.00380
		3A	0.0013	0.00220	3B	0.0016	0.00285
1.4375-16	UNJ	2A	0.0015	0.00260	2B	0.0020	0.00340
		3A	0.0011	0.00195	3B	0.0015	0.00255
1.4375-18	UNJEF	2A	0.0014	0.00250	2B	0.0019	0.00325
		3A	0.0011	0.00185	3B	0.0014	0.00240
1.5000-6	UNJC	2A	0.0023	0.00405	2B	0.0030	0.00525
		3A	0.0018	0.00305	3B	0.0023	0.00395
1.5000-8	UNJ	2A	0.0021	0.00365	2B	0.0027	0.00475
		3A	0.0016	0.00275	3B	0.0020	0.00355
1.5000-12	UNJF	2A	0.0018	0.00320	2B	0.0024	0.00415
		3A	0.0014	0.00240	3B	0.0018	0.00315
1.5000-16	UNJ	2A	0.0015	0.00260	2B	0.0020	0.00340
		3A	0.0011	0.00195	3B	0.0015	0.00255
1.5000-18	UNJEF	2A	0.0014	0.00250	2B	0.0019	0.00325
		3A	0.0011	0.00185	3B	0.0014	0.00240
1.5625-8	UNJ	2A	0.0021	0.00370	2B	0.0028	0.00480
		3A	0.0016	0.00275	3B	0.0021	0.00360

(Table 6 continues on next page)

**TABLE 6 ALLOWABLE VARIATIONS IN LEAD AND EQUIVALENT CHANGE
IN FUNCTIONAL DIAMETER, UNJ THREAD FORM (CONT'D)**

Nominal Size and Threads per in.	Series Designation	External			Internal		
		Class	Allowable Variation in Lead, in. ±	Equivalent Change in Functional Diameter, in. +	Class	Allowable Variation in Lead, in. ±	Equivalent Change in Functional Diameter, in. -
1	2	3	4	5	6	7	8
1.5625-12	UNJ	2A	0.0017	0.00295	2B	0.0022	0.00380
		3A	0.0013	0.00220	3B	0.0016	0.00285
1.5625-16	UNJ	2A	0.0015	0.00260	2B	0.0020	0.00340
		3A	0.0011	0.00195	3B	0.0015	0.00255
1.5625-18	UNJEF	2A	0.0014	0.00250	2B	0.0019	0.00325
		3A	0.0011	0.00185	3B	0.0014	0.00240
1.6250-8	UNJ	2A	0.0021	0.00370	2B	0.0028	0.00485
		3A	0.0016	0.00280	3B	0.0021	0.00360
1.6250-12	UNJ	2A	0.0017	0.00295	2B	0.0022	0.00380
		3A	0.0013	0.00220	3B	0.0016	0.00285
1.6250-16	UNJ	2A	0.0015	0.00260	2B	0.0020	0.00340
		3A	0.0011	0.00195	3B	0.0015	0.00255
1.6250-18	UNJEF	2A	0.0014	0.00250	2B	0.0019	0.00325
		3A	0.0011	0.00185	3B	0.0014	0.00240
1.6875-8	UNJ	2A	0.0022	0.00375	2B	0.0028	0.00485
		3A	0.0016	0.00280	3B	0.0021	0.00365
1.6875-12	UNJ	2A	0.0017	0.00300	2B	0.0023	0.00390
		3A	0.0013	0.00225	3B	0.0017	0.00290
1.6875-16	UNJ	2A	0.0015	0.00265	2B	0.0020	0.00345
		3A	0.0012	0.00200	3B	0.0015	0.00260
1.6875-18	UNJEF	2A	0.0015	0.00255	2B	0.0019	0.00330
		3A	0.0011	0.00190	3B	0.0014	0.00245
1.7500-5	UNJC	2A	0.0026	0.00445	2B	0.0033	0.00580
		3A	0.0019	0.00335	3B	0.0025	0.00435
1.7500-8	UNJ	2A	0.0022	0.00375	2B	0.0028	0.00490
		3A	0.0016	0.00285	3B	0.0021	0.00370
1.7500-12	UNJ	2A	0.0017	0.00300	2B	0.0023	0.00390
		3A	0.0013	0.00225	3B	0.0017	0.00290
1.7500-16	UNJ	2A	0.0015	0.00265	2B	0.0020	0.00345
		3A	0.0012	0.00200	3B	0.0015	0.00260
1.8125-8	UNJ	2A	0.0022	0.00380	2B	0.0029	0.00495
		3A	0.0016	0.00285	3B	0.0021	0.00370
1.8125-12	UNJ	2A	0.0017	0.00300	2B	0.0023	0.00390
		3A	0.0013	0.00225	3B	0.0017	0.00290
1.8125-16	UNJ	2A	0.0015	0.00265	2B	0.0020	0.00345
		3A	0.0012	0.00200	3B	0.0015	0.00260
1.8750-8	UNJ	2A	0.0022	0.00385	2B	0.0029	0.00500
		3A	0.0016	0.00285	3B	0.0022	0.00375
1.8750-12	UNJ	2A	0.0017	0.00300	2B	0.0023	0.00390
		3A	0.0013	0.00225	3B	0.0017	0.00290
1.8750-16	UNJ	2A	0.0015	0.00265	2B	0.0020	0.00345
		3A	0.0012	0.00200	3B	0.0015	0.00260

(Table 6 continues on next page)

TABLE 6 ALLOWABLE VARIATIONS IN LEAD AND EQUIVALENT CHANGE IN FUNCTIONAL DIAMETER, UNJ THREAD FORM (CONT'D)

Nominal Size and Threads per in.	Series Designation	External			Internal		
		Class	Allowable Variation in Lead, in. ±	Equivalent Change in Functional Diameter, in. +	Class	Allowable Variation in Lead, in. ●	Equivalent Change in Functional Diameter, in. -
1	2	3	4	5	6	7	8
1.9375-8	UNJ	2A	0.0022	0.00385	2B	0.0029	0.00500
		3A	0.0017	0.00290	3B	0.0022	0.00375
1.9375-12	UNJ	2A	0.0018	0.00305	2B	0.0023	0.00395
		3A	0.0013	0.00225	3B	0.0017	0.00295
1.9375-16	UNJ	2A	0.0016	0.00270	2B	0.0020	0.00350
		3A	0.0012	0.00200	3B	0.0015	0.00260
2.0000-4.5	UNJC	2A	0.0027	0.00475	2B	0.0036	0.00620
		3A	0.0020	0.00355	3B	0.0027	0.00465
2.0000-8	UNJ	2A	0.0023	0.00390	2B	0.0029	0.00505
		3A	0.0017	0.00290	3B	0.0022	0.00380
2.0000-12	UNJ	2A	0.0018	0.00305	2B	0.0023	0.00395
		3A	0.0013	0.00225	3B	0.0017	0.00295
2.0000-16	UNJ	2A	0.0016	0.00270	2B	0.0020	0.00350
		3A	0.0012	0.00200	3B	0.0015	0.00260
2.1250-8	UNJ	2A	0.0023	0.00395	2B	0.0029	0.00510
		3A	0.0017	0.00295	3B	0.0022	0.00385
2.1250-12	UNJ	2A	0.0018	0.00305	2B	0.0023	0.00395
		3A	0.0013	0.00225	3B	0.0017	0.00295
2.1250-16	UNJ	2A	0.0016	0.00270	2B	0.0020	0.00350
		3A	0.0012	0.00200	3B	0.0015	0.00260
2.2500-4.5	UNJC	2A	0.0028	0.00485	2B	0.0036	0.00630
		3A	0.0021	0.00365	3B	0.0027	0.00475
2.2500-8	UNJ	2A	0.0023	0.00400	2B	0.0030	0.00520
		3A	0.0017	0.00300	3B	0.0023	0.00390
2.2500-12	UNJ	2A	0.0018	0.00305	2B	0.0023	0.00395
		3A	0.0013	0.00225	3B	0.0017	0.00295
2.2500-16	UNJ	2A	0.0016	0.00270	2B	0.0020	0.00350
		3A	0.0012	0.00200	3B	0.0015	0.00260
2.3750-8	UNJ	2A	0.0023	0.00405	2B	0.0030	0.00525
		3A	0.0017	0.00300	3B	0.0023	0.00395
2.3750-12	UNJ	2A	0.0018	0.00310	2B	0.0023	0.00405
		3A	0.0013	0.00230	3B	0.0017	0.00300
2.3750-16	UNJ	2A	0.0016	0.00275	2B	0.0021	0.00360
		3A	0.0012	0.00205	3B	0.0016	0.00270
2.5000-4	UNJC	2A	0.0030	0.00520	2B	0.0039	0.00675
		3A	0.0023	0.00390	3B	0.0029	0.00505
2.5000-8	UNJ	2A	0.0024	0.00410	2B	0.0031	0.00530
		3A	0.0018	0.00305	3B	0.0023	0.00400
2.5000-12	UNJ	2A	0.0018	0.00310	2B	0.0023	0.00405
		3A	0.0013	0.00230	3B	0.0017	0.00300
2.5000-16	UNJ	2A	0.0016	0.00275	2B	0.0021	0.00360
		3A	0.0012	0.00205	3B	0.0016	0.00270

(Table 6 continues on next page)

**TABLE 6 ALLOWABLE VARIATIONS IN LEAD AND EQUIVALENT CHANGE
IN FUNCTIONAL DIAMETER, UNJ THREAD FORM (CONT'D)**

Nominal Size and Threads per in.	Series Designation	External			Internal		
		Class	Allowable Variation in Lead, in. ±	Equivalent Change in Functional Diameter, in. +	Class	Allowable Variation in Lead, in. ±	Equivalent Change in Functional Diameter, in. -
1	2	3	4	5	6	7	8
2.6250-8	UNJ	2A	0.0024	0.00410	2B	0.0031	0.00535
		3A	0.0018	0.00310	3B	0.0023	0.00400
2.6250-12	UNJ	2A	0.0018	0.00310	2B	0.0023	0.00405
		3A	0.0013	0.00230	3B	0.0017	0.00300
2.6250-16	UNJ	2A	0.0016	0.00275	2B	0.0021	0.00360
		3A	0.0012	0.00205	3B	0.0016	0.00270
2.7500-4	UNJC	2A	0.0030	0.00525	2B	0.0040	0.00685
		3A	0.0023	0.00395	3B	0.0030	0.00515
2.7500-8	UNJ	2A	0.0024	0.00415	2B	0.0031	0.00540
		3A	0.0018	0.00315	3B	0.0023	0.00405
2.7500-12	UNJ	2A	0.0018	0.00310	2B	0.0023	0.00405
		3A	0.0013	0.00230	3B	0.0017	0.00300
2.7500-16	UNJ	2A	0.0016	0.00275	2B	0.0021	0.00360
		3A	0.0012	0.00205	3B	0.0016	0.00270
2.8750-8	UNJ	2A	0.0024	0.00420	2B	0.0032	0.00550
		3A	0.0018	0.00315	3B	0.0024	0.00410
2.8750-12	UNJ	2A	0.0018	0.00315	2B	0.0024	0.00410
		3A	0.0014	0.00235	3B	0.0018	0.00310
2.8750-16	UNJ	2A	0.0016	0.00280	2B	0.0021	0.00365
		3A	0.0012	0.00210	3B	0.0016	0.00275
3.0000-4	UNJC	2A	0.0031	0.00535	2B	0.0040	0.00695
		3A	0.0023	0.00400	3B	0.0030	0.00520
3.0000-8	UNJ	2A	0.0025	0.00425	2B	0.0032	0.00555
		3A	0.0018	0.00320	3B	0.0024	0.00415
3.0000-12	UNJ	2A	0.0018	0.00315	2B	0.0024	0.00410
		3A	0.0014	0.00235	3B	0.0018	0.00310
3.0000-16	UNJ	2A	0.0016	0.00280	2B	0.0021	0.00365
		3A	0.0012	0.00210	3B	0.0016	0.00275
3.1250-8	UNJ	2A	0.0025	0.00430	2B	0.0032	0.00560
		3A	0.0018	0.00320	3B	0.0024	0.00420
3.1250-12	UNJ	2A	0.0018	0.00315	2B	0.0024	0.00410
		3A	0.0014	0.00235	3B	0.0018	0.00310
3.1250-16	UNJ	2A	0.0016	0.00280	2B	0.0021	0.00365
		3A	0.0012	0.00210	3B	0.0016	0.00275
3.2500-4	UNJC	2A	0.0031	0.00545	2B	0.0041	0.00705
		3A	0.0024	0.00410	3B	0.0031	0.00530
3.2500-8	UNJ	2A	0.0025	0.00435	2B	0.0033	0.00565
		3A	0.0019	0.00325	3B	0.0025	0.00425
3.2500-12	UNJ	2A	0.0018	0.00315	2B	0.0024	0.00410
		3A	0.0014	0.00235	3B	0.0018	0.00310

(Table 6 continues on next page)

**TABLE 6 ALLOWABLE VARIATIONS IN LEAD AND EQUIVALENT CHANGE
IN FUNCTIONAL DIAMETER, UNJ THREAD FORM (CONT'D)**

Nominal Size and Threads per in.	Series Designation	External			Internal		
		Class	Allowable Variation in Lead, in. ±	Equivalent Change in Functional Diameter, in. +	Class	Allowable Variation in Lead, in. ±	Equivalent Change in Functional Diameter, in. -
1	2	3	4	5	6	7	8
3.2500-16	UNJ	2A	0.0016	0.00280	2B	0.0021	0.00365
		3A	0.0012	0.00210	3B	0.0016	0.00275
3.3750-8	UNJ	2A	0.0025	0.00440	2B	0.0033	0.00570
		3A	0.0019	0.00330	3B	0.0025	0.00425
3.3750-12	UNJ	2A	0.0018	0.00320	2B	0.0024	0.00420
		3A	0.0014	0.00240	3B	0.0018	0.00315
3.3750-16	UNJ	2A	0.0017	0.00290	2B	0.0022	0.00375
		3A	0.0012	0.00215	3B	0.0016	0.00280
3.5000-4	UNJC	2A	0.0032	0.00550	2B	0.0041	0.00715
		3A	0.0024	0.00415	3B	0.0031	0.00540
3.5000-8	UNJ	2A	0.0025	0.00440	2B	0.0033	0.00575
		3A	0.0019	0.00330	3B	0.0025	0.00430
3.5000-12	UNJ	2A	0.0018	0.00320	2B	0.0024	0.00420
		3A	0.0014	0.00240	3B	0.0018	0.00315
3.5000-16	UNJ	2A	0.0017	0.00290	2B	0.0022	0.00375
		3A	0.0012	0.00215	3B	0.0016	0.00280
3.6250-8	UNJ	2A	0.0026	0.00445	2B	0.0033	0.00580
		3A	0.0019	0.00335	3B	0.0025	0.00435
3.6250-12	UNJ	2A	0.0018	0.00320	2B	0.0024	0.00420
		3A	0.0014	0.00240	3B	0.0018	0.00315
3.6250-16	UNJ	2A	0.0017	0.00290	2B	0.0022	0.00375
		3A	0.0012	0.00215	3B	0.0016	0.00280
3.7500-4	UNJC	2A	0.0032	0.00560	2B	0.0042	0.00725
		3A	0.0024	0.00420	3B	0.0031	0.00545
3.7500-8	UNJ	2A	0.0026	0.00450	2B	0.0034	0.00585
		3A	0.0019	0.00335	3B	0.0025	0.00440
3.7500-12	UNJ	2A	0.0018	0.00320	2B	0.0024	0.00420
		3A	0.0014	0.00240	3B	0.0018	0.00315
3.7500-16	UNJ	2A	0.0017	0.00290	2B	0.0022	0.00375
		3A	0.0012	0.00215	3B	0.0016	0.00280
3.8750-8	UNJ	2A	0.0026	0.00455	2B	0.0034	0.00590
		3A	0.0020	0.00340	3B	0.0025	0.00440
3.8750-12	UNJ	2A	0.0019	0.00325	2B	0.0025	0.00425
		3A	0.0014	0.00245	3B	0.0018	0.00320
3.8750-16	UNJ	2A	0.0017	0.00295	2B	0.0022	0.00380
		3A	0.0013	0.00220	3B	0.0016	0.00285
4.0000-4	UNJC	2A	0.0033	0.00565	2B	0.0042	0.00735
		3A	0.0025	0.00425	3B	0.0032	0.00555
4.0000-8	UNJ	2A	0.0026	0.00455	2B	0.0034	0.00595
		3A	0.0020	0.00340	3B	0.0026	0.00445
4.0000-12	UNJ	2A	0.0019	0.00325	2B	0.0025	0.00425
		3A	0.0014	0.00245	3B	0.0018	0.00320

(Table 6 continues on next page)

**TABLE 6 ALLOWABLE VARIATIONS IN LEAD AND EQUIVALENT CHANGE
IN FUNCTIONAL DIAMETER, UNJ THREAD FORM (CONT'D)**

Nominal Size and Threads per in.	Series Designation	External			Internal		
		Class	Allowable Variation in Lead, in. ±	Equivalent Change in Functional Diameter, in. +	Class	Allowable Variation in Lead, in. ±	Equivalent Change in Functional Diameter, in. -
1	2	3	4	5	6	7	8
4.0000-16	UNJ	2A	0.0017	0.00295	2B	0.0022	0.00380
		3A	0.0013	0.00220	3B	0.0016	0.00285
4.1250-12	UNJ	2A	0.0019	0.00325	2B	0.0025	0.00425
		3A	0.0014	0.00245	3B	0.0018	0.00320
4.1250-16	UNJ	2A	0.0017	0.00295	2B	0.0022	0.00380
		3A	0.0013	0.00220	3B	0.0016	0.00285
4.2500-12	UNJ	2A	0.0019	0.00325	2B	0.0025	0.00425
		3A	0.0014	0.00245	3B	0.0018	0.00320
4.2500-16	UNJ	2A	0.0017	0.00295	2B	0.0022	0.00380
		3A	0.0013	0.00220	3B	0.0016	0.00285
4.3750-12	UNJ	2A	0.0019	0.00325	2B	0.0025	0.00425
		3A	0.0014	0.00245	3B	0.0018	0.00320
4.3750-16	UNJ	2A	0.0017	0.00295	2B	0.0022	0.00380
		3A	0.0013	0.00220	3B	0.0016	0.00285
4.5000-12	UNJ	2A	0.0019	0.00325	2B	0.0025	0.00425
		3A	0.0014	0.00245	3B	0.0018	0.00320
4.5000-16	UNJ	2A	0.0017	0.00295	2B	0.0022	0.00380
		3A	0.0013	0.00220	3B	0.0016	0.00285
4.6250-12	UNJ	2A	0.0019	0.00335	2B	0.0025	0.00435
		3A	0.0014	0.00250	3B	0.0019	0.00330
4.6250-16	UNJ	2A	0.0018	0.00305	2B	0.0023	0.00395
		3A	0.0013	0.00225	3B	0.0017	0.00295
4.7500-12	UNJ	2A	0.0019	0.00335	2B	0.0025	0.00435
		3A	0.0014	0.00250	3B	0.0019	0.00330
4.7500-16	UNJ	2A	0.0018	0.00305	2B	0.0023	0.00395
		3A	0.0013	0.00225	3B	0.0017	0.00295
4.8750-12	UNJ	2A	0.0019	0.00335	2B	0.0025	0.00435
		3A	0.0014	0.00250	3B	0.0019	0.00330
4.8750-16	UNJ	2A	0.0018	0.00305	2B	0.0023	0.00395
		3A	0.0013	0.00225	3B	0.0017	0.00295
5.0000-12	UNJ	2A	0.0019	0.00335	2B	0.0025	0.00435
		3A	0.0014	0.00250	3B	0.0019	0.00330
5.0000-16	UNJ	2A	0.0018	0.00305	2B	0.0023	0.00395
		3A	0.0013	0.00225	3B	0.0017	0.00295
5.1250-12	UNJ	2A	0.0019	0.00335	2B	0.0025	0.00435
		3A	0.0014	0.00250	3B	0.0019	0.00330
5.1250-16	UNJ	2A	0.0018	0.00305	2B	0.0023	0.00395
		3A	0.0013	0.00225	3B	0.0017	0.00295
5.2500-12	UNJ	2A	0.0019	0.00335	2B	0.0025	0.00435
		3A	0.0014	0.00250	3B	0.0019	0.00330
5.2500-16	UNJ	2A	0.0018	0.00305	2B	0.0023	0.00395
		3A	0.0013	0.00225	3B	0.0017	0.00295

(Table 6 continues on next page)